



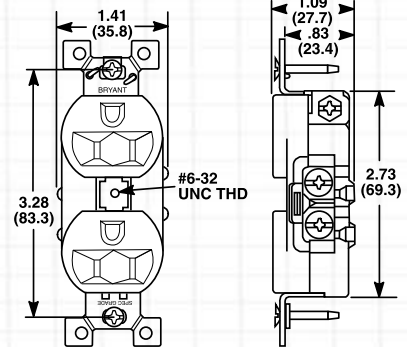
Heavy Duty Specification Grade Receptacles

- Rounded-face is molded of high-impact, chemical-resistant nylon
- Heavy-duty wraparound steel yoke
- Terminal screws: brass combination Phillips/slotted/Robertson binding head accepts up to #10 wire
- Back wiring: eight wiring pockets for convenient feed-thru wiring, clamp-type terminals accepts up to #10 wire
- Approved for CU wire only
- Large green, combination Phillips/slotted/Robertson hex head backed out and staked for easy wiring
- Easily accessible break-off tab for two-circuit wiring
- Self-grounding strap for quick installation
- One-piece triple-wipe brass line contacts
- Double-wipe brass grounding contacts
- UL listed File #E2258 – Guide #RTRT
- CSA Certified File #LR16215 – Guide #365E1
- Complies with NEMA Standards WD-1, WD-6 and UL 498
- Fed Spec. Wc 596
- NOM

Duplex Receptacles



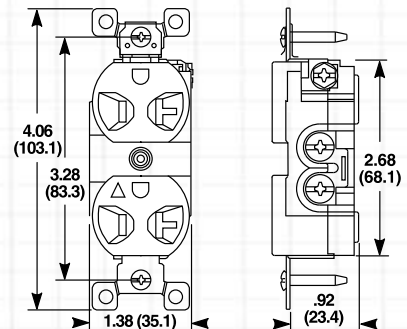
Color	15A	20A
Brown	5262BN	5362BN
White	5262BW	5362BW
Ivory	5262BI	5362BI
Gray	5262BGRY	5362BGRY
Black	5262BBLK	5362BBLK
Red	5262BRED	5362BRED
Almond	5262BAL	5362BAL



Isolated Ground Duplex Receptacles (side Wire Only)

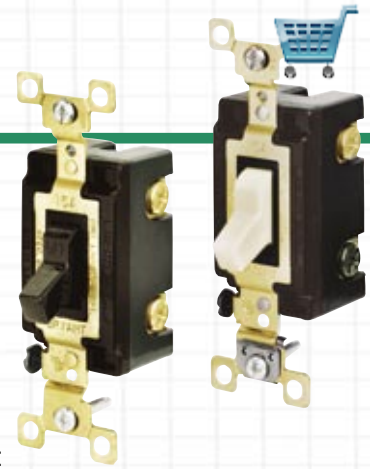


Color	15A	20A
Orange	CR15IG	CR20IG
Ivory	CR15IGI	CR20IGI
Gray	CR15IGRY	CR20IGRY
White	CR15IGW	CR20IGW



Heavy Duty Specification Grade Toggle Switches

- AC – general use snap switches are designed for controlling as permitted by the NEC, resistive, inductive, tungsten-filament, fluorescent and motor loads for AC branch lighting and appliance circuits
- Terminal screws: combination Phillips/slotted/Robertson binding head, accepts up to #10 wire.
- Approved for CU wire only
- Integral green, combination Phillips/slotted/Robertson hex head grounding screws provided
- Thread cleaning captive combination Phillips/slotted/Robertson mounting screws
- Nylon toggle
- Silver Cadmium oxide contacts
- One-piece copper-alloy contact arm for excellent conductivity
- High impact/chemical resistant rocker and coil compression spring for smooth, quiet action
- UL listed File #E1464 – Guide #WMUZ
- CSA Certified File #LR375 – Guide #380-W-19.7
- Complies with UL 20 and NEMA Standard WD-1
- NOM



Duplex Receptacles

	Color	Single Pole	Three Way	Four Way
15 AMP 	Brown	4801B	4803B	-
	White	4801BW	4803BW	-
	Ivory	4801BI	4803BI	-
	Gray	4801BGRY	4803BGRY	-
	Black	4801BBLK	4803BBLK	-
	Red	4801BRED	4803BRED	-
	Almond	4801BAL	4803BAL	-
20 AMP 	Brown	4901B	4903B	4904B
	White	4901BW	4903BW	4904BW
	Ivory	4901BI	4903BI	4904BI
	Gray	4901BGRY	4903BGRY	4904BGRY
	Black	4901BBLK	4903BBLK	4904BBLK
	Red	4901BRED	4903BRED	4904BRED
	Almond	4901BAL	4903BAL	4904BAL

