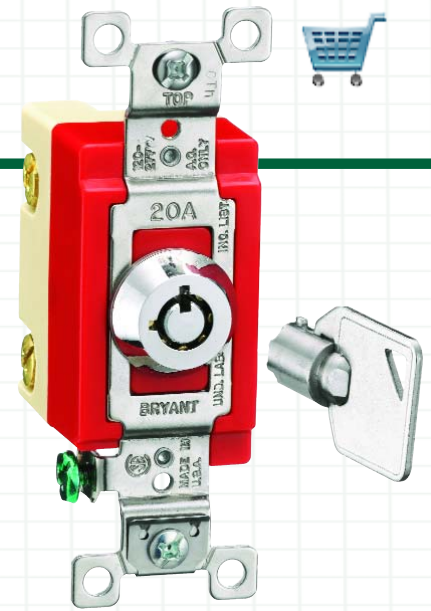


BRYANT®



AC Industrial Switches Barrel Key Locking Switch

Lock Out Protection...
...No Problem.



Features & Benefits

- Barrel lock and key for maximum security.
- Six-point tumbler cylinder provides superior pick-resistance.
- Push turn ratcheting feel with rotary 9-12 o'clock action for intuitive use.
- Locks keyed alike for planned security use by authorized management and maintenance personnel.
- Tapered head, steel lock construction resists impact.
- Bryant industrial AC switch design.
- Available in single pole, double pole, 3-way and 4-way versions.
- Available with clearly marked stainless steel wall plates in one and two gang configurations, sold separately.
- Stainless steel wall plates shipped with standard and tamperproof screws for specifier options.

Maximum Tamper Resistance

Barrel locking switches offer maximum tamper resistance for demanding security needs. Bryant offers the best in pick-resistant switches. The six-point tumbler cylinder provides added security to supply override protection from unwarranted access. Barrel locks have been commonly used for fire system control, restricted access and security equipment. Now, Bryant has designed the barrel lock into its industrial line of AC switches to put you in control.

Authorized Access Only

Barrel key switches limit access to give only authorized personnel the ability to operate switches that control lights and equipment. Light switches placed in public or semi-public areas play an important role in security and safety. Whether for schools, institutions, theaters, or public buildings, good lighting provides safety. Using the proper switch increases the security.

Superior Performance

Bryant's AC barrel key locking switch is the better lockout. Whether you need to guard against pranks or require a higher level of protection, the barrel lock is the answer. Its round design renders knives, paper clips and other flat objects virtually useless. The round barrel key used to activate the cylindrical tumblers cannot easily be duplicated.



Many electrical products are equipped with mechanisms to prevent accidental use or tampering such as locking plugs and connectors, mechanical interlocks, and lockout/tagout features. Adding caution signs and alarms often are not enough to prevent unauthorized use. The barrel key locking switch is the natural progression to more security. Designed to limit access, this new product has raised the performance standard against tampering and vandalism.

BRYANT®
www.bryant-electric.com

BRYANT® Barrel Key Locking Switch



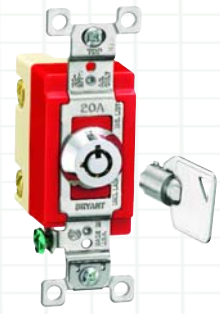
20 Amp 120-277 Volt AC Industrial Switches

Description

Single pole
Double pole
Three-Way
Four-Way

Catalog Numbers

4901RKL
4902RKL
4903RKL
4904RKL



4901RKL

Wall Plates and Accessories

Description

Single gang, 302 stainless steel with on/off marking
Single gang, 302 stainless steel with position marking
Two gang, 302 stainless steel with on/off marking
Two gang, 302 stainless steel with position marking
Tamper proof wall plate screws 1/2", SS spanner head*
Screw driver for spanner head screws
Barrel key - replacement

Catalog Numbers

R61RKL
R61RKL M
R62RKL
R62RKL M
SSTP12
SSTPD
6006RKL

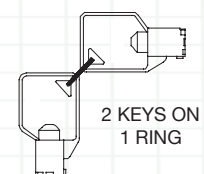
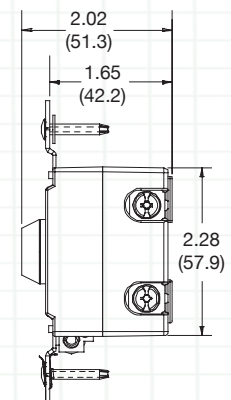
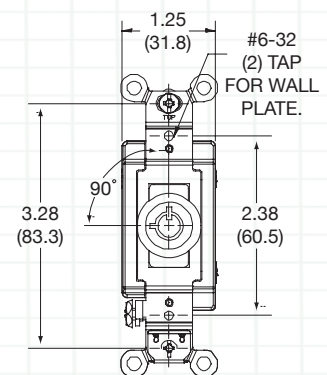


Wall Plates and Accessories

*Consult Bryant catalog for additional screw sizes ranging from 1/4" to 2".

Switch Performance Data

Mechanical:	Barrel Key Lock	6 point tumbler cylinder
	Rotary On/Off	9 o'clock to 12:00 o'clock on/off activation
	Terminal Accommodations	#14 AWG Min. -#10 AWG Max. solid and stranded wire, back and side wire
Electrical:	Dielectric Voltage	Withstands 1500V AC minimum
	Max. Working Voltage	277V AC
	Overload	Minimum 4.8 times rated current for 100 cycles
	Temperature Rise	30°C maximum at rated current
	Max. Continuous Current	20A
	Endurance	30,000 cycles min.
	Ground	Grounding screw and automatic grounding clip
Environmental:	Flammability	UL 94 V-2
	Operating Temperature	Max. continuous: 75°C Min. continuous: -40°C without impact
Listings:	UL 20 Listed	File #E1464
	CSA Certified 22.2	LR375



Switch Performance Data

	120V	240V
15A	1HP	2HP
20A	1½ HP	2HP