

***Tamper-Resistant and
Weather Resistant Receptacles***
— the new standard in electrical safety.



BRYANT





Why Tamper-Resistant?

The tamper-resistant code requirement is all about safety.

- Approximately 2,400 children per year suffer electrical outlet related injuries.
- For years, the design and use of tamper-resistant receptacles has been proven effective in pediatric areas and hospital installations nationwide. It makes sense to have them in homes as well.
- The additional cost per device is minimal and well worth it.
- Required by states that adopt 2008 NEC®.

What Do These Code Requirements Mean?

Tamper-Resistant



Tamper-Resistant Duplex Receptacles

Complies with NEC 406.11
Complies with NEC 210.52
Complies with NEC 511.18c

All 125V, 15A and 20A receptacles shall be listed tamper-resistant receptacles per NEC Article 406.11, "Tamper-Resistant Receptacles in Dwelling Units".



Schools



Pediatric Healthcare Facilities



Lobbies



Day-Care Centers

These symbols appear throughout for easy identification.

Tamper-Resistant (TR) receptacles incorporate internal mechanisms to limit access to energized internal components.

TR receptacles are a mandatory requirement in the 2008 NEC for use in dwelling unit outlets. There are also many other applications where the use of TR receptacles can provide an additional level of electrical safety such as Schools, Pediatric Facilities, Lobbies and Day-Care Centers.

Weather Resistant



Weather Resistant Duplex Receptacles

Complies with NEC 406.8(A)

All 125V and 250V, 15A and 20A receptacles shall be listed as weather resistant type per NEC Article 406.8, "Receptacles in Damp and Wet Locations".



Transit Centers



Washdown Areas



Amusement Parks



Open Air Markets

Weather Resistant (WR) receptacles installed outdoors or in wet and damp locations are subject to more demanding temperature variations, direct sunlight and unusual mechanical abuse than those in a typical dry environment. Bryant's WR receptacles are specifically designed to withstand these environments and conditions.

Ground Fault Receptacles



- Patented tamper-resistant protection
- Limits improper access to energized contacts
- No power at face if reverse wired
- Flashing RED LED, indicates device has lost capability to provide ground fault protection
- Open terminal design
- Accepts fork terminals
- Automatic grounding feature and internal back wire facilitate installation

Commercial & Hospital Grade Ground Fault Receptacles



**Commercial Grade
Tamper-Resistant
Weather Resistant
Back & Side Wired
15A 125V
NEMA 5-15R**

**Hospital Grade
Tamper-Resistant
Weather Resistant
Back & Side Wired
15A 125V
NEMA 5-15R**

Color
Almond
Black
Brown
Gray
Ivory
Light Almond
Office White
Red
White

GFTR15AL
GFTR15BK
GFTR15
GFTR15GY
GFTR15I
GFTR15LA
GFTR15OW
GFTR15R
GFTR15W

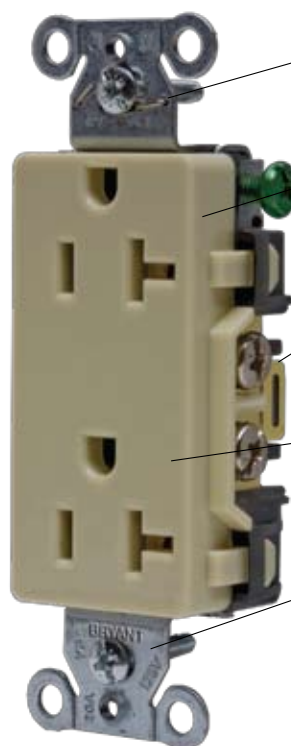
GF82ALTR
GF82BKTR
GF82TR
GF82GYTR
GF82ITR
GF82LATR
GF82OWTR
GF82RTR
GF82WTR

Color
Almond
Black
Brown
Gray
Ivory
Light Almond
Office White
Red
White

**20A 125V
NEMA 5-20R**
GFTR20AL
GFTR20BK
GFTR20
GFTR20GY
GFTR20I
GFTR20LA
GFTR20OW
GFTR20R
GFTR20W

**20A 125V
NEMA 5-20R**
GF83ALTR
GF83BKTR
GF83TR
GF83GYTR
GF83ITR
GF83LATR
GF83OWTR
GF83RTR
GF83WTR

Commercial Grade Receptacles Fashion Series®



- Self-grounding staple for fast and easy installation
- Durable construction using nylon face and base
- Easy access split circuit tab
- Accepts fork terminals
- Fashion Series® provides modern architectural appearance
- Decorator face
- Sturdy construction wrap-around galvanized steel strap

Commercial Grade Fashion Series® Receptacles



Color

**Back & Side Wired
15A 125V
NEMA 5-15R**

Almond
Black
Brown
Gray
Ivory
Light Almond
White

**DRS15AL
DRS15BLK
DRS15
DRS15GRY
DRS15I
DRS15LA
DRS15WHI**

**Tamper-Resistant
Back & Side Wired
15A 125V
NEMA 5-15R**

**DRS15ALTR
DRS15BLKTR
DRS15TR
DRS15GRYTR
DRS15ITR
DRS15LATR
DRS15WTR**

**Weather Resistant
Tamper-Resistant
Back & Side Wired
15A 125V
NEMA 5-15R**

**DRS15ALWRTR
DRS15BLKWRTR
DRS15WRTR
DRS15GRYWRTR
DRS15IWRTR
DRS15LAWRTR
DRS15WWRTR**

Color

**20A 125V
NEMA 5-20R**

Almond
Black
Brown
Gray
Ivory
Light Almond
White

**DRS20AL
DRS20BLK
DRS20
DRS20GRY
DRS20I
DRS20LA
DRS20WHI**

**20A 125V
NEMA 5-20R**

**DRS20ALTR
DRS20BLKTR
DRS20TR
DRS20GRYTR
DRS20ITR
DRS20LATR
DRS20WTR**

**20A 125V
NEMA 5-20R**

**DRS20ALWRTR
DRS20BLKWRTR
DRS20WRTR
DRS20GRYWRTR
DRS20IWRTR
DRS20LAWRTR
DRS20WWRTR**

Commercial Grade Receptacles Standard Duplex



- Single tab breakoff ears
- Self-grounding staple

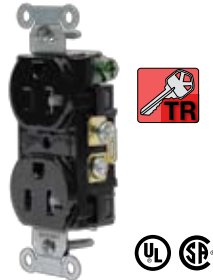
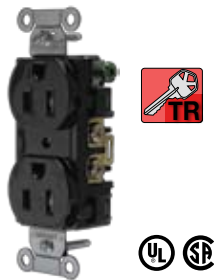
• Nylon face and base

• Bryant "Snub Hole" for fast and easy side wiring

- Accepts fork terminal
- Easy access split circuit tab

Sturdy construction with wrap-around galvanized steel strap

Commercial Grade Standard Duplex Receptacles



Color	Tamper-Resistant Side Wired 15A 125V NEMA 5-15R	Tamper-Resistant Back & Side Wired 15A 125V NEMA 5-15R	Weather Resistant Back & Side Wired 15A 125V NEMA 5-15R	Weather Resistant Tamper-Resistant Back & Side Wired 15A 125V NEMA 5-15R
Almond	CRS15ALTR	CBRS15ALTR	CBRS15ALWR	CBRS15ALWRTR
Black	CRS15BLKTR	CBRS15BLKTR	CBRS15BLKWR	CBRS15BLKWRTR
Brown	CRS15TR	CBRS15TR	CBRS15WR	CBRS15WRTR
Gray	CRS15GRYTR	CBRS15GRYTR	CBRS15GRYWR	CBRS15GRYWRTR
Ivory	CRS15ITR	CBRS15ITR	CBRS15IWR	CBRS15IWRTR
Light Almond	CRS15LATR	CBRS15LATR	CBRS15LAWR	CBRS15LAWRTR
White	CRS15WTR	CBRS15WTR	CBRS15WWR	CBRS15WWRTR

Color	20A 125V NEMA 5-20R	20A 125V NEMA 5-20R	20A 125V NEMA 5-20R	20A 125V NEMA 5-20R
Almond	CRS20ALTR	CBRS20ALTR	CBRS20ALWR	CBRS20ALWRTR
Black	CRS20BLKTR	CBRS20BLKTR	CBRS20BLKWR	CBRS20BLKWRTR
Brown	CRS20TR	CBRS20TR	CBRS20WR	CBRS20WRTR
Gray	CRS20GRYTR	CBRS20GRYTR	CBRS20GRYWR	CBRS20GRYWRTR
Ivory	CRS20ITR	CBRS20ITR	CBRS20IWR	CBRS20IWRTR
Light Almond	CRS20LATR	CBRS20LATR	CBRS20LAWR	CBRS20LAWRTR
White	CRS20WTR	CBRS20WTR	CBRS20WWR	CBRS20WWRTR



Bryant's new Quick-Tech™ receptacle provides a quick and simple method to wire a receptacle!



Quick-Tech™ Pigtailed Terminal



QT6R1

Description

Clear Connector with 6" Leads - Solid Wire

Clear Connector with 6" Leads - Stranded Wire

Catalog Numbers

QT6R1

QT6R2

Quick-Tech™ Specification Grade Duplex Receptacles



QT5262I



Color

Almond
Black
Brown
Gray
Ivory
Light Almond
Red
White

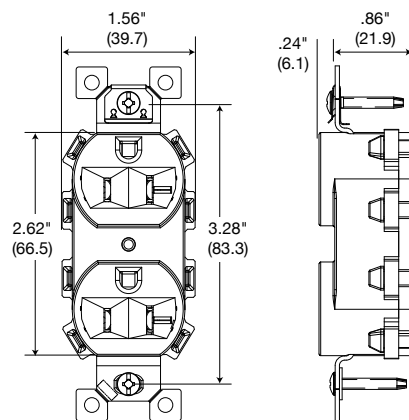
15A 125V
NEMA 5-15R

QT5262AL
QT5262BK
QT5262
QT5262GY
QT5262I
QT5262LA
QT5262R
QT5262W

20A 125V
NEMA 5-20R

QT5362AL
QT5362BK
QT5362
QT5362GY
QT5362I
QT5362LA
QT5362R
QT5362W

Dimensions Inches (mm)



Quick-Tech™ Hospital Grade Duplex Receptacles



QT8200W



Color

Almond
Black
Brown
Gray
Ivory
Light Almond
Red
White

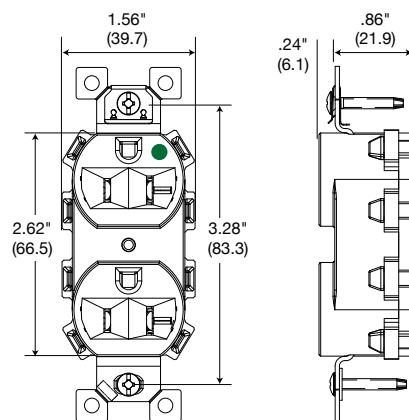
15A 125V
NEMA 5-15R

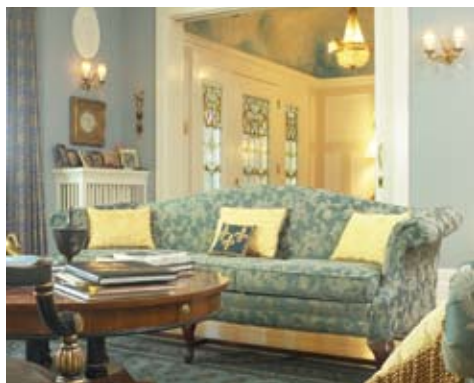
QT8200AL
QT8200BK
QT8200
QT8200GY
QT8200I
QT8200LA
QT8200R
QT8200W

20A 125V
NEMA 5-20R

QT8300AL
QT8300BK
QT8300
QT8300GY
QT8300I
QT8300LA
QT8300R
QT8300W

Dimensions Inches (mm)





Residential Tamper-Resistant Performance

Protection is always available with tamper-resistant receptacles. They are reliable, automatic and permanent. With attention to design and performance, Bryant has developed a new shutter mechanism to enable tamper-resistance to be built into standard and decorator duplexes, single receptacles, floor boxes and other power devices. At Bryant, performance is our history, safety is our goal—now for your home.

Color	Standard Duplex Self-Grounding 15A 125V
Almond	RR15SALTR
Black	RR15SBKTR
Brown	RR15STR
Gray	—
Ivory	RR15SITR
Light Almond	RR15SLATR
White	RR15SWTR



Color	Standard Duplex Quick Thread 15A 125V
Almond	RR15QALTR
Black	RR15QBKTR
Brown	RR15QTR
Gray	—
Ivory	RR15QITR
Light Almond	RR15QLATR
White	RR15QWTR



Color	Decorator Duplex Self-Grounding 15A 125V
Almond	RRD15SALTR
Black	RRD15SBKTR
Brown	RRD15STR
Gray	RRD15SGYTR
Ivory	RRD15SITR
Light Almond	RRD15SLATR
White	RRD15SWTR



Color	Standard Duplex Cut Ears 15A 125V
Almond	RR15KALTR
Black	RR15KBKTR
Brown	RR15KTR
Gray	—
Ivory	RR15KITR
Light Almond	RR15KLATR
White	RR15KWTR



Color	Standard Single Receptacle 15A 125V
Almond	RR151ALTR
Black	RR151BKTR
Brown	RR151TR
Gray	RR151GYTR
Ivory	RR151ITR
Light Almond	RR151LATR
White	RR151WTR



Color	Standard Single Receptacle 20A 125V
Almond	RR201ALTR
Black	RR201BKTR
Brown	RR201TR
Gray	RR201GYTR
Ivory	RR201ITR
Light Almond	RR201LATR
White	RR201WTR



Color	Decorator Single Receptacle 15A 125V
Almond	RRD151ALTR
Black	RRD151BKTR
Brown	RRD151TR
Gray	RRD151GYTR
Ivory	RRD151ITR
Light Almond	RRD151LATR
White	RRD151WTR



Color	Decorator Single Receptacle 20A 125V
Almond	RRD201ALTR
Black	RRD201BKTR
Brown	RRD201TR
Gray	RRD201GYTR
Ivory	RRD201ITR
Light Almond	RRD201LATR
White	RRD201WTR



Color	Standard Combo SP Switch 15A 120V Receptacle 15A 125V
Almond	RC108ALTR
Black	—
Brown	RC108TR
Gray	—
Ivory	RC108ITR
Light Almond	RC108LATR
White	RC108WTR



Color	Standard Combo 3W Switch 15A 120V Receptacle 15A 125V
Almond	RC308ALTR
Black	—
Brown	RC308TR
Gray	—
Ivory	RC308ITR
Light Almond	RC308LATR
White	RC308WTR



Color	Decorator Combo SP Switch 15A 120V Receptacle 15A 125V
Almond	RCD108ALTR
Black	RCD108BKTR
Brown	—
Gray	RCD108GYTR
Ivory	RCD108ITR
Light Almond	RCD108LATR
White	RCD108WTR



Color	Decorator Combo 3W Switch 15A 120V Receptacle 15A 125V
Almond	RCD308ALTR
Black	RCD308BKTR
Brown	—
Gray	RCD308GYTR
Ivory	RCD308ITR
Light Almond	RCD308LATR
White	RCD308WTR





Tamper-Resistant and Weather Resistant Receptacles

— the new standard in electrical safety.



Contact Information

Regional Managers

Northeast Region

Dave Jones

Office: 401-792-3976
Fax: 401-792-3926
e-mail: djones@hubbell.com

Southeast Region

Tony Scenna

Office: 270-780-0303
Fax: 270-780-0304
e-mail: tscenna@hubbell.com

Midwest Region

Randy Sengbusch

Office: 262-942-4827
Fax: 262-942-1883
e-mail: rsengbus@hubbell.com

Northwest Region

Erich Leaverton

Office: 510-336-9574
Fax: 510-531-3892
e-mail: nleavert@hubbell.com

Southwest Region

Rick Carlson

Office: 972-690-5601
Fax: 972-690-3933
e-mail: ricarlson@hubbell.com

National Account Manager Modular/Mobile Homes & Recreational Vehicles

Glenn Jensen

Office: 574-273-1243
e-mail: gjensen@hubbell.com

Customer Service/ Technical Service

800-323-2792

For a searchable list of authorized distributors and sales agents,
visit our website at www.bryant-electric.com