



Because Spills Happen



***Bryant Countertop Pop-Up Receptacles
are Spill Test Compliant***

Bryant Countertop Pop-Up Receptacles are the first pop-up receptacles UL listed for countertop applications and permanent installations.

UL 498 Section 146

Built and listed to be water resistant to a half gallon of liquid spilled on the device.

NEC 406.5(E)

Receptacle assemblies for installation in countertop surfaces shall be listed for countertop application.



Bryant Countertop Pop-Up Receptacles provide a power source ideal for kitchen and bath counters and islands. Bryant is the first to market a countertop receptacle that is UL Listed. It allows compliance with NEC® 406.5(E) [countertops], 406.5(F) [work surfaces], and 406.5(H) [seating areas]. Pop-Up Receptacles are tested and water resistant to a half gallon spill. The receptacles feature Bryant's patent pending silicone gaskets and patented cam action tamper-resistant technology.

Features

- Surface or flush mount options with seven different finishes
- Compact design
- Water and tamper-resistant receptacle
- Easy push down to pop-up function is rated for a minimum of 10,000 cycles (OPEN/CLOSE)
- Permanent installation ready (suitable for MC cable or non-metallic sheath cable)

 Listed file# E2186



Surface Mount

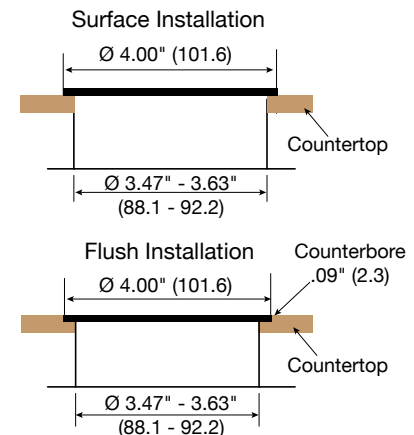
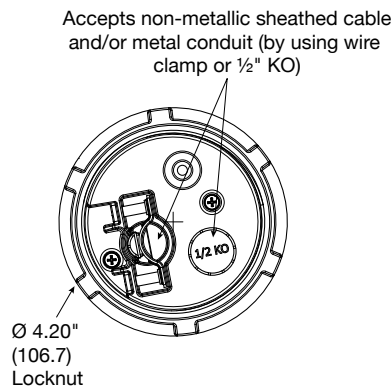
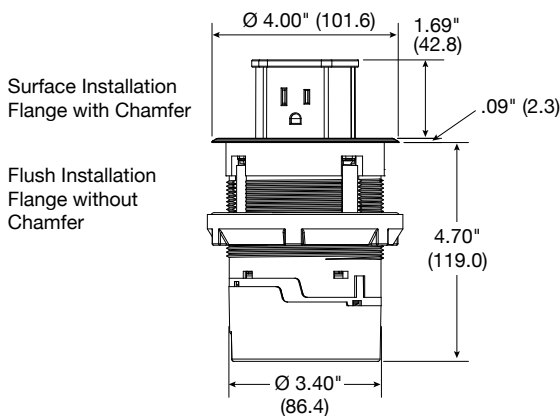
Ordering Information

Description	Finish	Color/Material	Surface Mount	Flush Mount
15A 125V Tamper-Resistant Countertop Pop-Up Receptacle, Rated for 20A Circuits.	Powder Coated	Black	RCT200BK	RCT201BK
		White	RCT200W	RCT201W
	Brushed	Aluminum	RCT200ALU	RCT201ALU
		Brass	RCT200BR	RCT201BR
		Nickel	RCT200NI	RCT201NI
	Polished	Chrome	RCT200CH	RCT201CH
	Matte	Bronze	RCT200BZE	RCT201BZE



Flush Mount

Dimensions Inches (mm)



Note: Recommended to be fed by a GFCI circuit, up to 20 Amp Service.