

2014 National Electrical Code (NEC®) Requirement

- EXTRA DUTY® Metallic While-in-Use Covers are designed for use whenever protection is required while an outlet is in use.
- Covers meet or exceed the extra duty rating per UL 514D, and are NEMA 3R rated.



2014 National Electrical Code (NEC®) Requirement

406.9 Receptacles in Damp or Wet Locations.

(B) Wet Locations.

(1) Receptacles of 15 and 20 Amperes in Wet Locations. Receptacles of 15 and 20 ampere, 125 and 250 volt installed in a wet location shall have an enclosure that is weatherproof whether or not the attachment plug cap is inserted. An outlet box hood installed for this purpose shall be listed, and shall be identified as "extra-duty." All 15 and 20 ampere, 125 and 250 volt non-locking-type receptacles shall be listed weather resistant type.

Exception: 15 and 20 ampere, 125 through 250 volt receptacles installed in a wet location and subject to routine high-pressure spray washing shall be permitted to have an enclosure that is weatherproof when the attachment plug is removed.

FEATURES

- Die-cast aluminum construction
- Powder coated "chip resistant" paint corrosion protection
- Unique plug management provision for securing device and cord
- Provision on each side for holding cords
- Pad-lockable – Accepts standard size padlocks
- Device or box mounting
- Unique lid design allows larger plugs and provides more room for bend radius of electrical cords

SPECIFICATIONS

- NEMA® 3R rated
- cULus listed, outlet box 731A

APPLICATIONS



- Commercial
- Office Space
- Mixed-Use Buildings
- Retail / Restaurants
- Hospitality
- Education
- Dormitories
- Labs / Medical
- Residential

NEC® is a registered trademark of the The National Electrical Code.
NEMA® is a registered trademark of The National Electrical Manufacturers Association.

EXTRA DUTY® Metallic While-In-Use Covers



EXTRA DUTY® Metallic While-in-Use Covers are designed for use whenever protection is required while an outlet is in use. Covers meet or exceed the extra duty rating per UL 514D, and are NEMA® 3R rated.

ORDERING INFORMATION

1-Gang EXTRA DUTY® Metallic Covers for Vertical Mounting Inches (mm)

Description	Product Dimensions Height x Width x Depth	Catalog Number
Metallic, gray, duplex, while-in-use cover for vertical mounting	6.5 in. x 3.3 in. x 3.2 in. (165.1 x 83.8 x 81.3)	WPB8E
Metallic, gray, round hole 1.55" or 2.10", while-in-use cover for vertical mounting	6.5 in. x 3.3 in. x 4.5 in. (165.1 x 83.8 x 114.3)	WPB700E
Metallic, gray, GFCI, while-in-use cover for vertical mounting	6.5 in. x 3.3 in. x 3.2 in. (165.1 x 83.8 x 81.3)	WPB26E



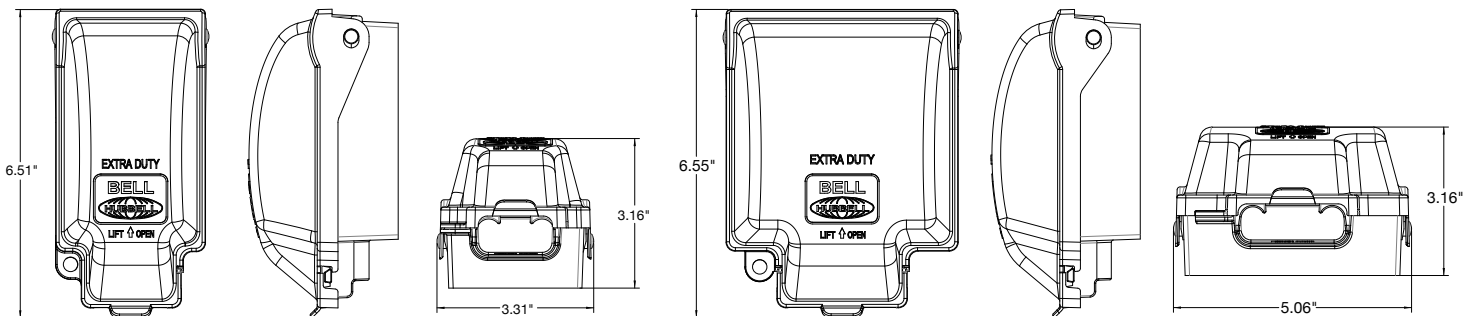
1-Gang EXTRA DUTY® Metallic Covers for Horizontal Mounting Inches (mm)

Description	Product Dimensions Height x Width x Depth	Catalog Number
Metallic, gray, duplex, while-in-use cover for horizontal mounting	4.8 in. x 5.1 in. x 3.2 in. (121.9 x 129.5 x 81.3)	WPB8EH
Metallic, gray, GFCI, while-in-use cover for horizontal mounting	4.8 in. x 5.1 in. x 3.2 in. (121.9 x 129.5 x 81.3)	WPB26EH

2-Gang EXTRA DUTY® Metallic Covers for Vertical Mounting Inches (mm)

Description	Product Dimensions Height x Width x Depth	Catalog Number
Metallic, gray, double duplex, while-in-use cover for vertical mounting	6.5 in. x 5.1 in. x 3.2 in. (165.1 x 129.5 x 81.3)	WPB82E
Metallic, gray, GFCI and duplex, while-in-use cover for vertical mounting	6.5 in. x 5.1 in. x 3.2 in. (165.1 x 129.5 x 81.3)	WPB268E
Metallic, gray, double GFCI, while-in-use cover for vertical mounting	6.5 in. x 5.1 in. x 3.2 in. (165.1 x 129.5 x 81.3)	WPB262E

DIMENSIONS



www.bryant-electric.com

