

Portable Power When You Need It Most!

- Designed to address temporary power needs on construction sites and outdoor events
- Boxes are UL Type 3R for outdoor rainproof applications
- Weatherproof boots available for connecting plugs for additional protection
- Bryant's Temporary Power Distribution Boxes meet NEC® 305.6 requirements for personal protection
- Listed to the latest UL 1640 standard for Portable Power Distribution Equipment



FEATURES

- Weatherproof receptacle lift covers
- Available with six 20A straight blade or locking receptacles
- Features 50A locking input and output
- Overcurrent protection for each circuit
- Individual GFCI module for each receptacle
- Nested leg design allows boxes to be easily stacked
- UL Type 3R for outdoor rainproof applications

SPECIFICATIONS

Boxes

Listings/Certifications	UL 1640, UL 943
Environment	Indoor and outdoor wet and dry locations
Enclosure Type	3R, rainproof, suitable for use in damp locations
Code Compliance	NEC®, ANSI/NFPA 70

Cables

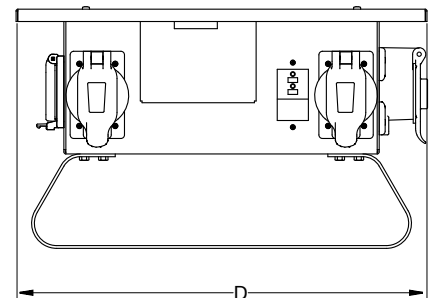
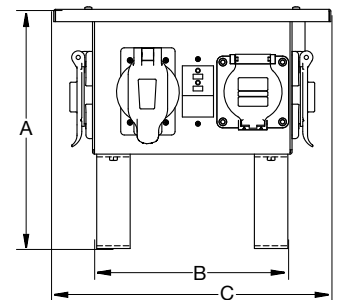
Listings/Certifications	Connectors: UL/CSA, Cable: MSHA
Environment	Indoor and outdoor wet and dry locations

NEC® is a registered trademark of the National Fire Protection Association (NFPA).

DIMENSIONS

TPD Box Inches (mm)

A	12.52" (317.9)
B	10.23" (259.8)
C	14.50" (368.3)
D	21.50" (546.1)



CONSTRUCTION SITES

- Renovations
- New Construction
- Demolition



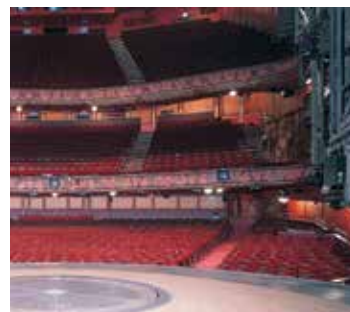
UNIVERSITIES/SCHOOLS

- Graduation Ceremonies
- Concerts/Lectures
- Sporting Events



STAGE/THEATER

- Movie/Broadcasting
- Concerts
- Plays/Musicals



OUTDOOR ENTERTAINMENT

- Carnivals
- Festivals
- Professional Sports



ORDERING INFORMATION



Temporary Power Distribution Boxes

Rating	Type	Qty	Receptacle Ratings	Protection Overload	GFCI Protected	Catalog Number
50A, 120/240V AC (Max.)	Straight Blade	6	20A, 125V	Yes	Yes	TPDSB
	Locking	1	30A, 250V	Yes	No	
	Locking (inlet)	1	50A, 125/250V	No	No	
	Locking (outlet)	1	50A, 125/250V	No	No	
50A, 120/240V AC (Max.)	Locking	6	20A, 125V	Yes	Yes	TPDLB
	Locking	1	30A, 250V	Yes	No	
	Locking (inlet)	1	50A, 125/250V	No	No	
	Locking (outlet)	1	50A, 125/250V	No	No	



TPDLB



TPC50B

Cable Sets

Description	Catalog Number
50A cord set; 50 foot cable; 6/3, 8/1 cable type; with 50A locking plug and connector	TPC50B*
50A cord set; 100 foot cable; 6/3, 8/1 cable type; with 50A locking plug and connector	TPC100B*

Note: * Not UL Listed or CSA Certified.



CS6365L

Replacement Parts

Description	Catalog Number
20A, 125V straight blade receptacle	5361BLK
20A, 125V locking receptacle	70520FR
30A, 250V locking receptacle	70630FR
50A, 125/250V locking receptacle	CS6369L
50A, 125/250V locking plug	CS6365L
50A, 125/250V locking connector	CS6364L
50A, 125/250V locking inlet	CS6375L
Weather protective plate for 50A receptacle	7774CR
Weather protective plate for 50A inlet	7780



CS6375L



7774CR

Portable Outlet Boxes - Suitable for Wet and Damp Locations

Description	Suitability	Catalog Number
Portable outlet box; deep	IP44	BRY3099
Portable outlet box; deep with feed thru	IP44	BRY3090F
Portable outlet box; deep with (2) duplex cover plates	IP44	BRY3000



BRY3000

Portable Outlet Box Cover Plates (UL Type 1) and Lift Covers (UL Type 3R)

Description	Box Cover UL Type 1	Lift Cover UL Type 3R
Outlet box cover plate; duplex receptacle	BRY3051	BRY3056
Outlet box cover plate; 1.39" diameter receptacle	BRY3052	BRY3057
Outlet box cover plate; 1.572" diameter receptacle	BRY3055	BRY3058
Outlet box cover plate; GFCI	BRY3060	BRY3061
Outlet box cover plate; blank	—	BRY3054



BRY3051



BRY3056