

BRYANT® USB Dual Charger Duplex Receptacles

Hospital Grade and Commercial Specification Grade

Providing Faster Charges and More Power in a Standard Single-Gang Opening

- 3 Amps of USB Capacity
 - Charge two tablets simultaneously
- Duplex Outlets
 - More Capacity
- 15 and 20 Amp
 - Specification Grade
 - Hospital Grade
- Tamper-Resistant



FEATURES

- Two USB ports 3 Amp, 5VDC, Type A, 2.0
- Tamper-Resistant (TR) decorator duplex
- Green LED indicator to show USB power available
- Impact and chemical resistant
- Back and side wire for solid or stranded wire
- Flush fit design

Bryant's Dual USB Charger Duplex Receptacle provides both USB and electrical power in a standard single-gang electrical opening. Designed to provide more charging options for personal electronics, the USB ports are capable of charging two tablets simultaneously. Ideal for use in schools, universities, hotels, hospitals, offices, medical labs, restaurants, airports, homes and more.

The new Dual USB Charger Duplex Receptacle includes two 3A/5V USB Ports and two Hubbell Tamper-Resistant 15A/125VAC or 20A/125VAC power outlets, which can be used simultaneously.

APPLICATIONS



- Schools/Universities
- Hotels/Hospitality
- Offices/Reception
- Residential
- Healthcare
- Transportation
- OEM
- Workstations/Labs

DESIGNED FOR USE WITH

- Apple® Products
 - iPad®
 - iPod®
 - iPhone®
- Tablet computers
- Smart Phones
- Mobile Phones
- MP3 Players
- GPS
- Digital Readers
- Other USB compatible products



Apple, iPad, iPod and iPhone are registered trademarks of Apple Inc.

BRYANT® USB Dual Charger Duplex Receptacles

Hospital Grade and Commercial Specification Grade

ORDERING INFORMATION

Specification Grade

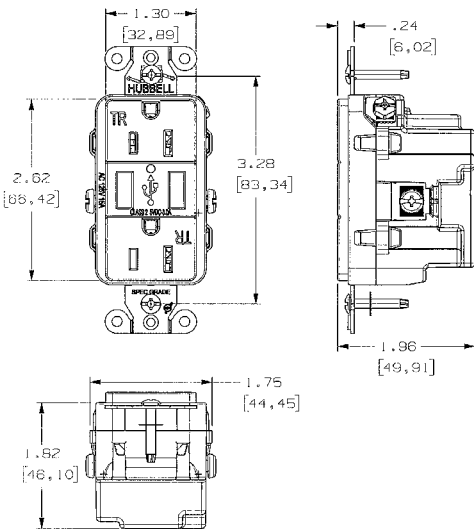
Description	Color	15A 125V AC	20A 125V AC
USB Charger Tamper-Resistant Receptacle, Two USB Type 2.0 Ports 3 Amp, 5 Volt DC, 15 or 20 Amp, 125 Volt AC Decorator Duplex	Black	USBB15BK	USBB20BK
	Brown	USBB15	USBB20
	Gray	USBB15GY	USBB20GY
	Ivory	USBB15I	USBB20I
	Light Almond	USBB15LA	USBB20LA
	White	USBB15W	USBB20W



Hospital Grade ●

Description	Color	15A 125V AC	20A 125V AC
USB Charger Tamper-Resistant Receptacle, Two USB Type 2.0 Ports 3 Amp, 5 Volt DC, 15 or 20 Amp, 125 Volt AC Decorator Duplex	Black	USBB8200BK	USBB8300BK
	Gray	USBB8200GY	USBB8300GY
	Ivory	USBB8200I	USBB8300I
	Light Almond	USBB8200LA	USBB8300LA
	Red	USBB8200R	USBB8300R
	White	USBB8200W	USBB8300W

DIMENSIONS



SPECIFICATIONS

- Electrical ratings: 15 or 20 Amp, 125VAC, USB 3 Amp, 5VDC
- Input voltage: 125VAC, 60Hz
- Circuit feed-through 20 Amp, 125 Volt
- #10-14 AWG gauge wire terminals
- Dielectric withstand: 2000V
- Operating temperature: maximum continuous 75° C; minimum -40° C (without impact)
- Meets UL94 for 5V flammability rating
- Complies with battery charging specification USB BC1.2
- Compatible with USB 1.1/2.0/3.0 devices, including Apple products
- Complies with Part 15 of the FCC rules
- cULus listed to UL498 and UL1310

ENERGY INFORMATION

120V AC Input Power	Energy consumed when USBs are not in use		Energy consumed when USBs are fully used	
	No Load Current	.0013A	Full Load Current	0.323A
	No Load Watts	.63W	Full Load Watts	19.7W

Time to charge an iPad® or similar tablet with the Hubbell USB Charger, from 0% battery charge to 100%, is estimated to be between 5 to 6 hours.

Estimated annual cost to use a USB Charger Receptacle, charging 2 devices (tablets drawing maximum power), for 6 hours a day, at a Kilowatt cost of \$0.10.

Hours of use (6)	x	kilowatt cost (\$0.10)	x	kilowatt usage per hour (19.7w/1000*)	x	365 days =	\$4.31
Hours of non-use (18)	x	kilowatt cost (\$0.10)	x	kilowatt usage per hour (.63w/1000*)	x	365 days =	\$0.41
Total hours (24)						Total cost per year	\$4.72

*To convert watts to kilowatts, divide watts by 1000.

BRYANT®

www.bryant-electric.com



Bryant® Electric • Hubbell Incorporated (Delaware) • 40 Waterview Drive • Shelton, CT 06484 • Phone (800) 323-2792 • FAX (800) 543-0538
Printed in U.S.A. Specifications subject to change without notice.

® is a registered trademarks of Hubbell Incorporated.

BLDSB002 06/13