

Power and Style in Hard-to-Reach Places!

- Brushed aluminum or brushed brass plated
- Round cover for easy mounting and orientation
- Low profile cover
- Perfect for spaces without wall outlets

Bryant's die-cast aluminum floor box covers are now available in two new finishes: brushed aluminum and brushed brass plated to complement a variety of interiors. These covers feature a recessed design that enables the access door to be closed while in use, minimizing plug protrusion and allowing furniture to be located over the plug. The push-in-place leveling system makes slab-on-grade installations a simple and adjustable process.

Bryant's floor box outlets comply with NEC® code 210.52 which states that floor receptacles can count as part of the required number of outlets when located within 18 inches of a wall. Floor boxes provide aesthetic, readily-available power and are especially beneficial in places where wall outlets are not always an option such as along glass exterior walls or in larger rooms.



FEATURES

- Recessed design minimizes plug protrusion
- Post-pour adjustability
- Line and low voltage options

SPECIFICATIONS

- Flange height 0.12 inch, diameter 6.00 inch
- Two openings for cable egress
- Plated die-cast aluminum
- 4 inch minimum concrete pour

STANDARDS/LISTINGS/VERIFICATIONS

- Box and Cover - Complies with UL Listing 514C for scrub water test
- Complies with ADA Standards for Accessible Design Section 4.5.2 - Changes in Level
- Load tested to withstand up to 300 lbs
- UL Listed E92074 floor box

APPLICATIONS

- Large family rooms
- Entertainment centers
- Near glass partition walls
- Underneath furniture



FLOOR BOXES ALSO FROM BRYANT

- Solid brass and thermoplastic
- Available in almond, black, chestnut brown and ivory



ORDERING INFORMATION

Floor Box for Structural Concrete Floors

Description	Material	Color	Catalog Number
Flange and hinged door cover assembly; includes tamper-resistant duplex receptacle 15A 125V; gasket; floor leveling PVC ring; high impact and chemical resistant nylon; factory pre-assembled for easy drop-in installation.	Brushed Aluminum	—	RF406ALU
	Brushed Brass Plated	—	RF406BP
	Solid Brass	—	RF406BR
	Thermoplastic	Almond	RF406AL
	Thermoplastic	Black	RF406BK
	Thermoplastic	Chestnut Brown	RF406BN
	Thermoplastic	Gray	RF406GY
Tile ring and door cover assembly; Flush fit for hardwood and tile floors (similar to above).	Solid Brass	—	RF409BR
Floor box with concrete protective cover; accepts ¾ in. and 1 in. schedule 40 and schedule 80 PVC conduit; includes round box (4 7/8 in. dia. x 6.0 in. deep); four reducers; closure plugs; and concrete cover with locator flag.	PVC	Gray	RF400
Hinged nylon replacement door cover; includes neoprene gasket to seal plug openings; replacement cover for RF406 series.	Solid Brass	—	RF407BR
	Thermoplastic	Almond	RF407AL
	Thermoplastic	Black	RF407BK
	Thermoplastic	Chestnut Brown	RF407BN
	Thermoplastic	Gray	RF407GY
Low voltage divider; for use in PVC box RF400 when JLOAD® multimedia outlet is used.	Thermoplastic	Gray	RF408



RF406ALU



RF400



RF407BK

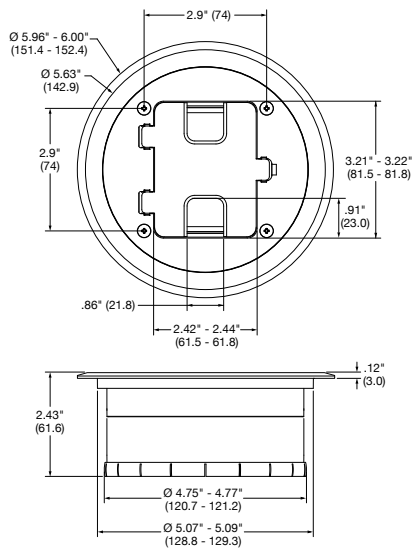


RF408

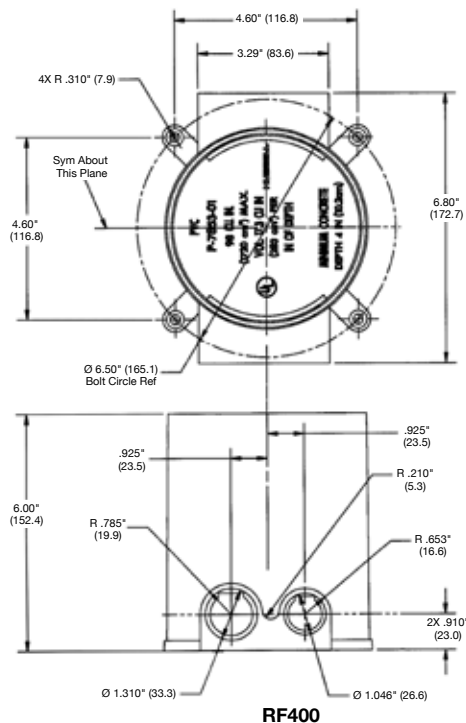


RF406BK

DIMENSIONS



RF406



RF400