



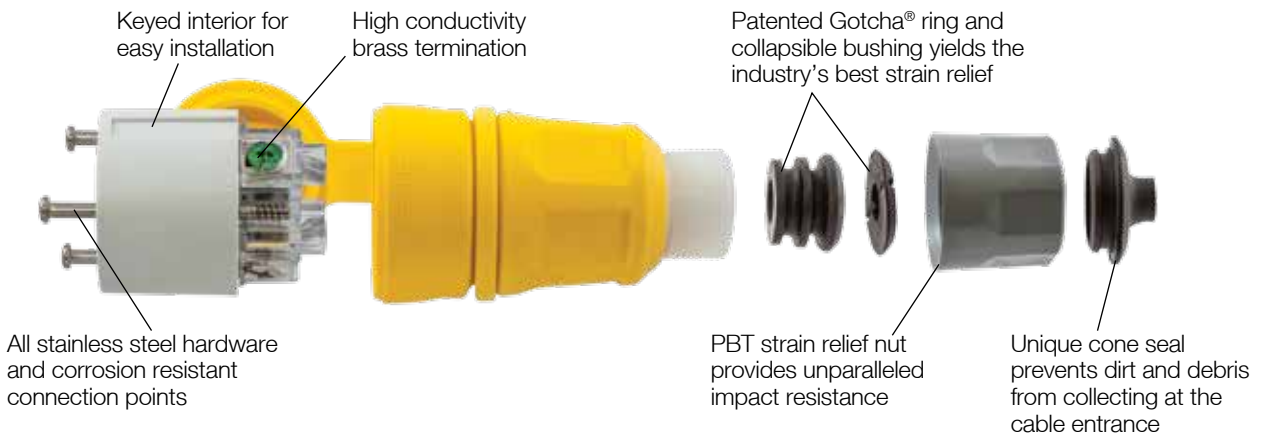
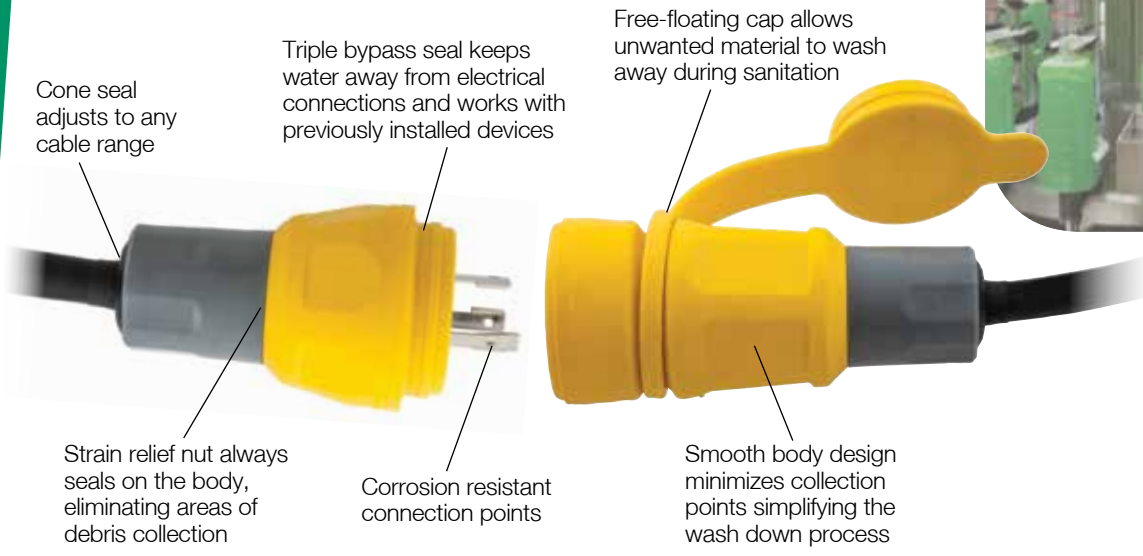
BRYANT[®]

Watertight Wiring Devices

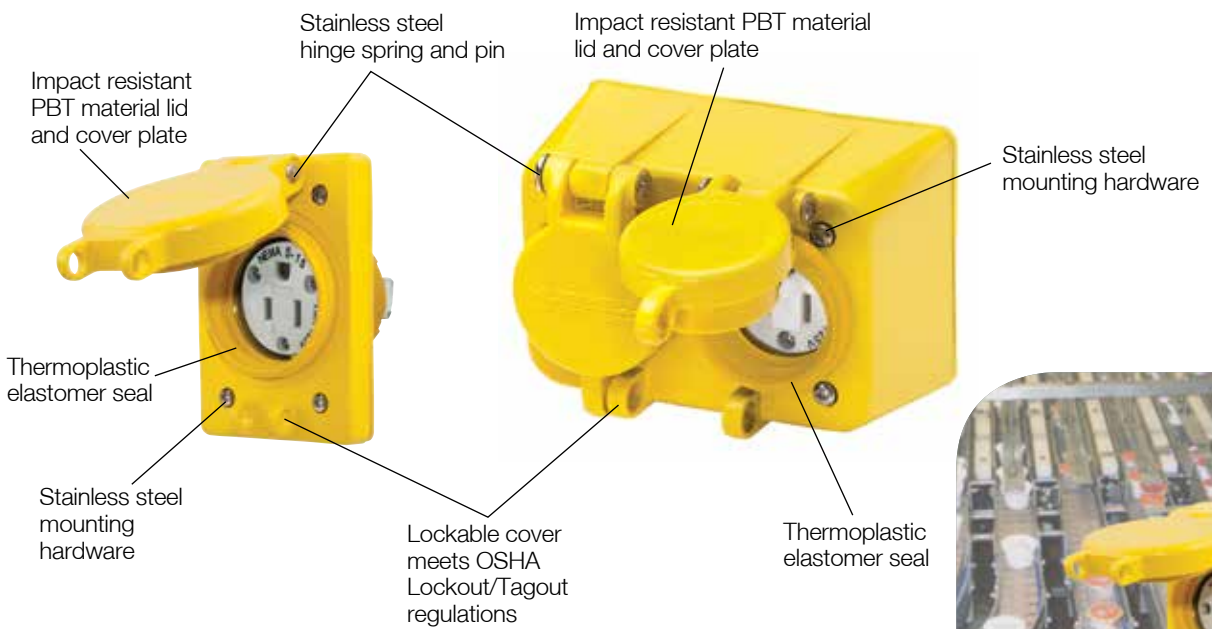


**Watertight and Weather
Protective Devices for
Demanding Environments**

Plugs and Connectors



Receptacles with Covers



FEATURES

Plugs, Connectors and Receptacles



NSF UL NSF
UL Type 4, 4X, 6P

IP65, 66, 67
SUITABILITY



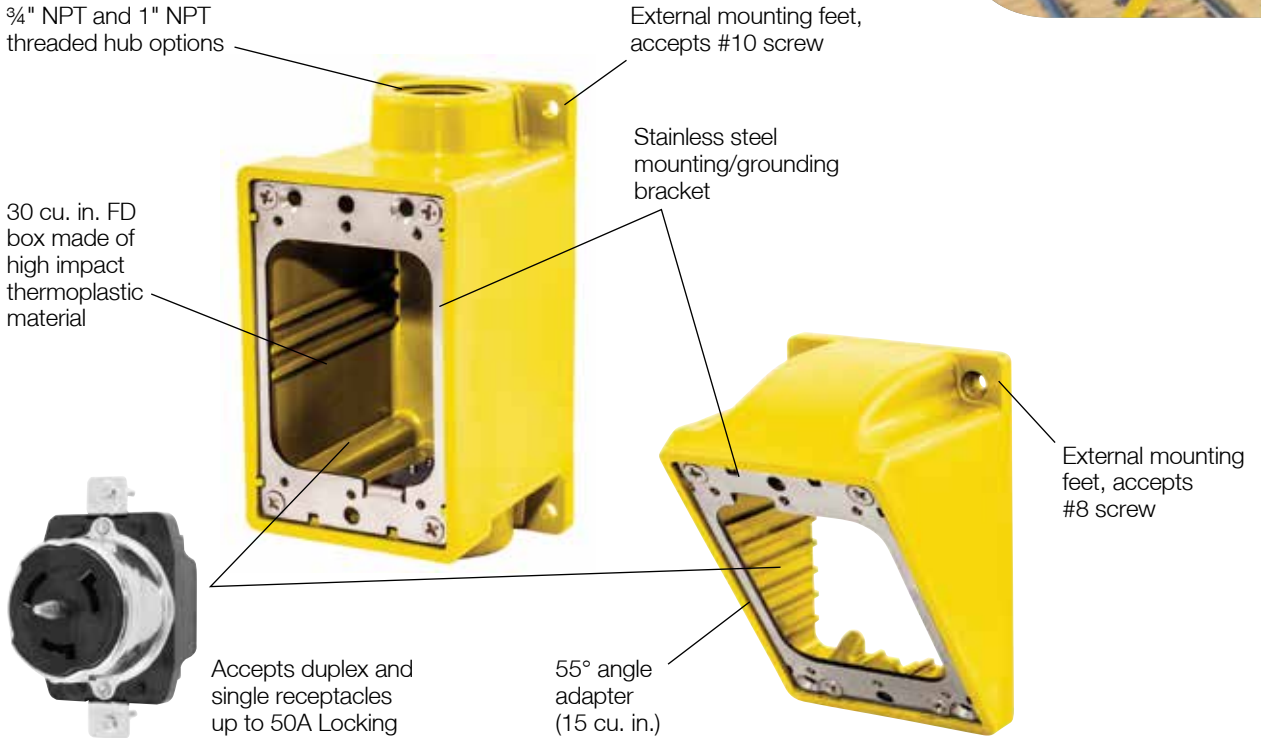
| Straight Blade | Amp Poles/Wires | Rating | Plug/Connector | Color | Plug | Connector | Receptacle with Lift Cover | Duplex Receptacle |
|-------------------------------|------------------------------------|------------------------------------|------------------------|----------|----------|-----------|----------------------------|-------------------|
| | Locking Devices | 15 Amp 2P/3W | NEMA 5-15 15A 125V | | Yellow | BRY14W47 | BRY15W47 | BRY60W47 |
| NEMA 6-15 15A 250V | | | | Yellow | BRY14W49 | BRY15W49 | BRY60W49 | BRY60W49D |
| 15A 125V 10A 600V Non-NEMA | | | | Yellow | BRY14W07 | BRY15W07 | — | — |
| 20 Amp 2P/3W | | NEMA 5-20 20A 125V | | Yellow | BRY14W33 | BRY15W33 | BRY60W33 | BRY60W33D |
| | | NEMA 6-20 20A 250V | | Yellow | BRY14W48 | BRY15W48 | BRY60W48 | BRY60W48D |
| Locking Devices | | 15 Amp 2P/3W | NEMA L5-15 15A 125V | | Yellow | BRY24W47 | BRY25W47 | BRY65W47 |
| | NEMA L6-15 15A 250V | | | Yellow | BRY24W49 | BRY25W49 | BRY65W49 | BRY65W49D |
| | NEMA L7-15 15A 277V AC | | | Yellow | BRY24W34 | BRY25W34 | BRY65W34 | BRY65W34D |
| | 20 Amp 2P/3W | NEMA L5-20 20A 125V | | Yellow | BRY26W47 | BRY27W47 | BRY67W47 | — |
| | | NEMA L6-20 20A 250V | | Yellow | BRY26W48 | BRY27W48 | BRY67W48 | — |
| | | NEMA L7-20 20A 277V AC | | Yellow | BRY26W49 | BRY27W49 | BRY67W49 | — |
| | 20 Amp 3P/4W | NEMA L14-20 20A 125/250V AC | | Yellow | BRY26W74 | BRY27W74 | BRY67W74 | — |
| | | NEMA L15-20 20A 3Ø 250V AC | | Yellow | BRY26W75 | BRY27W75 | BRY67W75 | — |
| | | NEMA L16-20 20A 3Ø 480V AC | | Yellow | BRY26W76 | BRY27W76 | BRY67W76 | — |
| | 20 Amp 4P/5W | NEMA L21-20 20A 3ØY 120/208V AC | | Yellow | BRY26W81 | BRY27W81 | BRY67W81 | — |
| | | NEMA L22-20 20A 3ØY 277/480V AC | | Yellow | BRY26W82 | BRY27W82 | BRY67W82 | — |
| | | NEMA L23-20 20A 3ØY 347/600V | | Yellow | BRY26W83 | BRY27W83 | BRY67W83 | — |
| | 20 Amp 3P/3W | 20A 125/250V Non-NEMA | | Yellow | BRY26W08 | BRY27W08 | BRY67W08 | — |
| | 20 Amp 4P/4W | 20A 3ØY 120/208V AC Non-NEMA | | Yellow | BRY26W09 | BRY27W09 | BRY67W09 | — |
| | 30 Amp 2P/3W | NEMA L5-30 30A 125V | | Yellow | BRY28W47 | BRY29W47 | BRY69W47 | — |
| NEMA L6-30 30A 250V | | | Yellow | BRY28W48 | BRY29W48 | BRY69W48 | — | |
| NEMA L7-30 30A 277V AC | | | Yellow | BRY28W49 | BRY29W49 | BRY69W49 | — | |
| 30 Amp 3P/4W | | NEMA L14-30 30A 125/250V AC | | Yellow | BRY28W74 | BRY29W74 | BRY69W74 | — |
| | | NEMA L15-30 30A 3Ø 250V AC | | Yellow | BRY28W75 | BRY29W75 | BRY69W75 | — |
| | | NEMA L16-30 30A 3Ø 480V AC | | Yellow | BRY28W76 | BRY29W76 | BRY69W76 | — |
| 30 Amp 4P/5W | | NEMA L17-30 30A 3Ø 600V AC | | Yellow | BRY28W77 | BRY29W77 | BRY69W77 | — |
| | | NEMA L18-30 30A 3ØY 120/208V AC | | Yellow | BRY28W78 | BRY29W78 | — | — |
| | | NEMA L21-30 30A 3ØY 120/208V AC | | Yellow | BRY28W81 | BRY29W81 | BRY69W81 | — |
| 30 Amp 3P/3W | NEMA L22-30 30A 3ØY 277/480V AC | | Yellow | BRY28W82 | BRY29W82 | BRY69W82 | — | |
| | NEMA L23-30 30A 3ØY 347/600V AC | | Yellow | BRY28W83 | BRY29W83 | BRY69W83 | — | |
| 30 Amp 3P/3W | 30A 125/250V Non-NEMA | | Yellow | BRY28W08 | BRY29W08 | BRY69W08 | — | |
| 30 Amp 4P/4W | 30A 3ØY 120/208V AC Non-NEMA | | Yellow | BRY28W09 | BRY29W09 | — | — | |

Note: Black devices are available as a special order, consult factory.

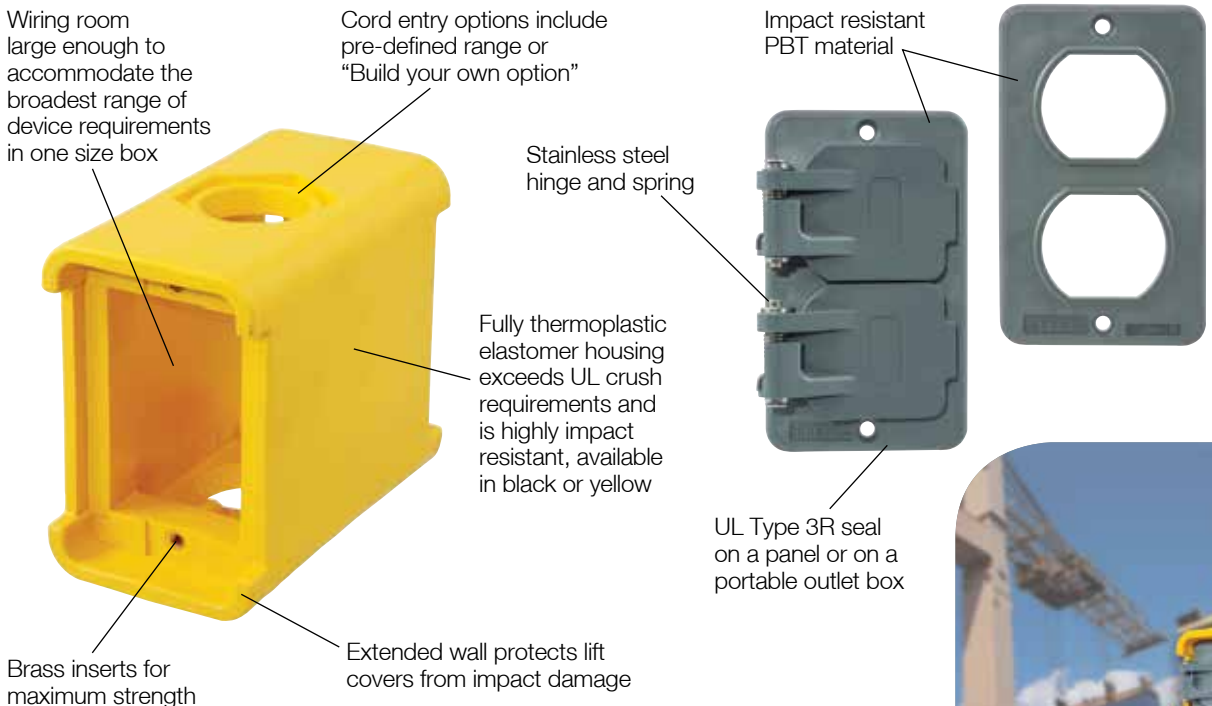
ORDERING INFORMATION

FD Boxes and Angled Adapters

Introducing a fully UL Listed surface mount box engineered with features that allow easy, code compliant installation of all types of devices from 15A to 50A, including metallic ground bonding bracket, threaded conduit hubs and external mounting supports. Together with an industry first 55 degree angle adapter, the combination of devices is the only code compliant 45 cu.in. solution for 50A 4 wire installations. The angle adapter can also be installed separately for panel applications.



Portable Outlet Box and Cover Plates



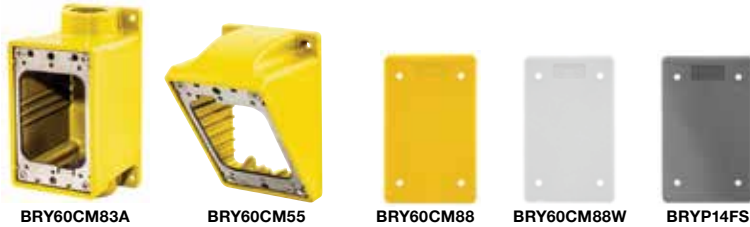
FEATURES

Boxes, Cover Plates and Accessories



UL Type 4X

IP65, 66
SUITABILITY



FD Boxes and Angled Adapters*

| Color | FD Boxes | | | Kits | | |
|--------|--------------------|--------------------|--------------------|---------------------|---------------------|--------------------|
| | 3/4" NPT Hubs | 1" NPT Hubs | 55° Angle Adapter* | 3/4" NPT Hubs | 1" NPT Hubs | Blank Cover Plates |
| Yellow | BRY60CM83A | BRY60CM84A | BRY60CM55* | BRY60CM83AK | BRY60CM84AK | BRY60CM88 |
| White | BRY60CM83WA | BRY60CM84WA | BRY60CM55W* | BRY60CM83WAK | BRY60CM84WAK | BRY60CM88W |
| Gray | BRY6083 | BRY6084 | BRY6055* | BRY6083AK | BRY6084AK | BRYP14FS |

Note: *For NEMA 4X rating, use watertight receptacle on either FD box or adapter. Adapters available 2nd quarter 2015. Not UL listed, nor UL Type 4X.



Box Suitable for Wet and Damp Locations

IP44
SUITABILITY



Pre-Assembled Portable Outlet Boxes (with Cord Connector Installed)

| Description | Cord Range Inches (mm) | Color | Deep | Deep with Feed-Thru | Deep with (2) Duplex Cover Plates |
|---------------------|------------------------|--------|----------------|---------------------|-----------------------------------|
| Portable outlet box | .38"-.50" (9.7-12.7) | Yellow | BRY3099 | BRY3090F | BRY3000 |

Note: For use with NEMA Type 1 and Type 3R portable outlet box covers listed below.



UL Type 1, 3R

IP44
SUITABILITY



Portable Outlet Box Cover Plates (NEMA Type 1) and Lift Covers (NEMA Type 3R)

| Description | Duplex | | 1.39" diameter receptacle | | 1.572" diameter receptacle | | GFCI | | Blank |
|----------------------------------|---------------------|-----------------------|---------------------------|-----------------------|----------------------------|-----------------------|---------------------|-----------------------|------------------------|
| | Box Cover UL Type 1 | Lift Cover UL Type 3R | Box Cover UL Type 1 | Lift Cover UL Type 3R | Box Cover UL Type 1 | Lift Cover UL Type 3R | Box Cover UL Type 1 | Lift Cover UL Type 3R | Cover Plate UL Type 3R |
| Portable outlet box cover plates | BRY3051 | BRY3056 | BRY3052 | BRY3057 | BRY3055 | BRY3058 | BRY3060 | BRY3061 | BRY3054 |



UL Type 4X

IP65, 66, 67
SUITABILITY



Watertight Lift Covers

| Description | Receptacle with Lift Cover |
|---|----------------------------|
| For use with 15A or 20A straight blade receptacles and 15A locking receptacles; receptacle not included. | BRY6500 |
| For use with 20A locking receptacles; receptacle not included. Note: When mating with BRY26W09, 20A Non-NEMA plug, use BRY6800 cover. | BRY6700 |
| For use with 30A locking receptacles; receptacle not included. | BRY6800 |

Replacement Interiors



| Device | Rating | Interiors | |
|------------------------|----------------|-------------------|-------------------|
| | | Plug | Receptacle |
| Straight Blade Locking | 15A 125V | BRY14W47IN | BRY15W47IN |
| | | BRY24W47IN | — |
| | | — | BRY27W47IN |
| Locking | 15A 125V | — | BRY27W47IN |
| | | BRY26W75IN | — |
| | | BRY26W76IN | BRY27W76IN |
| Locking | 30A 3Ø 250V AC | BRY28W75IN | BRY29W75IN |
| | 30A 3Ø 480V AC | BRY28W76IN | BRY29W76IN |

Bushings, Cone Seals and Closure Caps



| Device | Bushings | Cone Seals | Closure Caps |
|------------------------------------|----------------|-----------------|-----------------|
| 15A Straight Blade and 15A Locking | BRYWTB1 | BRYWTCS1 | BRY50W50 |
| 20A Straight Blade | BRYWTB1 | BRYWTCS1 | BRY50W50 |
| 20A Locking | BRYWTB2 | BRYWTCS2 | BRY50W52 |
| 30A Locking | BRYWTB3 | BRYWTCS3 | BRY50W54 |

ORDERING INFORMATION

Technical Information



Materials

Plug/Connector

| Part | Materials |
|-----------------------|--|
| Blade/Contact Carrier | Nylon, white |
| Terminal Retainer | Polycarbonate, clear |
| Housing | Thermoplastic elastomer |
| Housing Insert | Nylon, white |
| Strain Relief Nut | PBT thermoplastic, gray |
| Blades/Contacts | Brass, nickel plated |
| Terminal Screws | Brass |
| Terminal Screw Size | #8-32 15A/20A Straight Blade and 15A Locking; #10-32 20A and 30A Locking |
| Assembly Screws | Stainless Steel |
| Bushings | Thermoplastic elastomer, black |
| Gotcha Ring | Nylon |
| Cone Seal | Thermoplastic elastomer, black |
| Closure Cap | Thermoplastic elastomer |

Receptacle Assembly

| Part | Materials |
|-------------------------------|-------------------------|
| Base, Flip Lid, and Backplate | PBT thermoplastic |
| Seal Collar | Thermoplastic elastomer |
| Mounting Screws | Stainless Steel |
| Spring and Hinge Pin | Stainless Steel |

Portable Outlet Box and Accessories

| Part | Materials |
|--------------------|-------------------------|
| Box Enclosure | Thermoplastic elastomer |
| Strain Relief Nut | PBT thermoplastic |
| Grommet | Thermoplastic elastomer |
| Gotcha Ring | Nylon |
| Locknut | Steel, zinc plate |
| Threaded Inserts | Brass |
| Receptacle Screw | Stainless steel |
| Cover Plate | PBT thermoplastic |
| Cover Plate Seal | Neoprene |
| Cover Plate Spring | Stainless steel |
| Hinge Pin | Stainless steel |
| Hinge Bracket | Zinc plated steel |
| Rivets | Zinc plated steel |

Specifications

Listings (Plug/Connector and Flip Lid Assembly)

Listed to UL498
 Certified to CSA C22.2 No. 42
 Meets NEMA WD-1, WD-6, and ANSI standards
 IP66 Suitability
 NSF Certified (Plugs, Connectors and Receptacles)

FD Box/Adapter

| Part | Materials |
|----------------|---------------------|
| Box Enclosure | PBT thermoplastic |
| Ground Bracket | 316 Stainless Steel |
| Ground Screw | Brass |
| Angle Adapter | PBT thermoplastic |

Environmental

| | |
|-----|--|
| Box | UL Type 4X (with UL Type 4X receptacle assembly) UL Type 3R (with weatherproof cover plate) |
|-----|--|

Performance

Electrical

| | |
|----------------------|--|
| Dielectric Voltage | |
| Connectors: | 2000V AC if rated 300V or less; 3000V AC if rated above 300V |
| Plugs: | 2500V AC if rated 300V or less; 3500V AC if rated above 300V |
| Max Working Voltage | As marked |
| Current Interrupting | Rated for current interruption per UL498 |
| Temperature Rise | 30°C max per UL498 at rated current |

Mechanical

Cord and terminal accommodations:

Plugs and Connectors

| | |
|---|--|
| 15 and 20A Straight Blade and 15A Locking | 16/3 SJ to 10/3 SJ, 18/3 S to 12/3 S, (Ø.325" to Ø625") (Ø8.3mm to Ø15.9 mm) |
| 20A Locking Except BRY26W09 & BRY27W09 | Min. Cord: 16/3 SJ, 18/3 S, 18/4 SJ, 18/4 S, 18/5 S, (Ø.325") (Ø8.3 mm) Max. Cord: 10/3 S, 10/4 S, 10/5 S (.875") (22.2 mm) |
| 30A Locking Including BRY26W09 & BRY27W09 | Min Cords: 12/3 SJ, 16/3 S, 14/4 SJ, 18/4 S, 18/5 S, (Ø.375") (Ø9.5 mm) Max Cord: 8/3 S, 8/4 S, 10/5 S (1.125") (28.6 mm) |

Receptacles – use solid or stranded building wire or flexible cord only as outlined below:

| | |
|---------------------|------------------|
| All Straight Blade | 18 AWG to 10 AWG |
| 15A Locking | 18 AWG to 10 AWG |
| 20A and 30A Locking | 18 AWG to 8 AWG |

Portable Outlet Boxes

| | |
|---------------|--|
| Cord Range | .38" to .68" (BRY3099, BRY3090F, BRY3000) and .38" to 1.00" with user-specified cord connector |
| Wiring Volume | 19.0 in ³ |

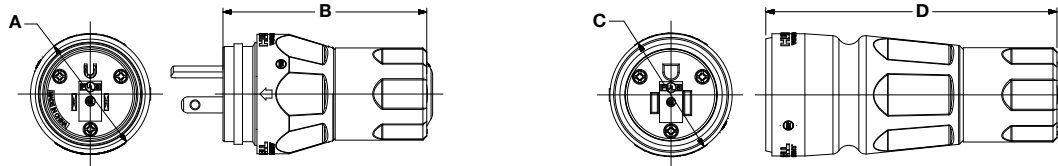
Environmental

| | |
|------------------------|---|
| Moisture Resistance | UL Listed to 3R, 3RX, 4, 4X, 6, 6P, 12 (Plugs and connectors); 3R, 3RX, 4, 4X (Receptacles); Wet and Damp Locations (Portable outlet boxes); Covers (POB) UL Type 3R and Wet Locations cover closed |
| Flammability | UL94V0 (boxes, covers, and plates); UL94V2 (Plugs, connectors, and interiors); UL94HB (Caps, bushings, and cone seals) |
| Operating Temperatures | -40°C (without impact) to +60°C continuous |
| UV Resistance | All exposed materials are UV stabilized |

Plugs and Connectors Inches (mm)

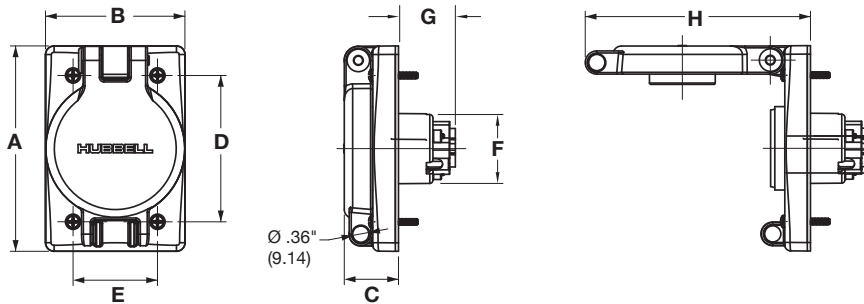
| | | 15A & 20A Straight Blade | 15A Non-NEMA Straight Blade | 15A Locking | 20A Locking | 30A Locking |
|------------|----------|-----------------------------|--------------------------------|----------------|----------------|----------------|
| Plugs | A | 1.85 (47.07) | 1.63 (41.40) | 1.85 (47.07) | 2.51 (63.70) | 2.77 (70.41) |
| | B | 3.16 (80.27) | 2.68 (68.00) | 3.21 (81.46) | 3.96 (100.69) | 3.94 (99.98) |
| Connectors | C | 1.85 (47.07) | 1.80 (46.00) | 1.85 (47.07) | 2.51 (63.70) | 2.77 (70.41) |
| | D | 4.42 (112.14) | 4.00 (102.00) | 4.62 (117.22) | 5.69 (144.55) | 5.67 (144.00) |

Note: For BRY26W09 and BRY27W09 use 30A Locking dimensions.



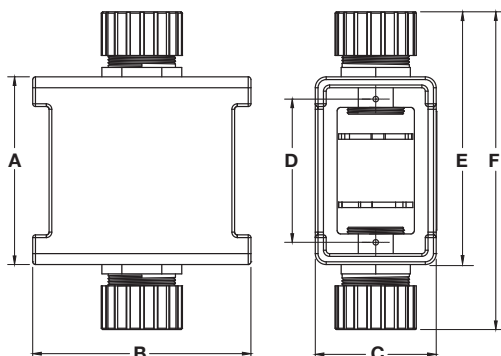
Receptacles with Lift Covers Inches (mm)

| | 15A & 20A Straight Blade | 15A Locking | 20A Locking | 20A Non-NEMA | 30A Locking | 30A Non-NEMA |
|----------|-----------------------------|----------------|----------------|-----------------|----------------|-----------------|
| A | 4.56" (115.9) | 4.56" (115.9) | 4.56" (115.9) | 4.56" (115.9) | 4.56" (115.9) | 4.56" (115.9) |
| B | 3.10" (78.7) | 3.10" (78.7) | 3.10" (78.7) | 3.10" (78.7) | 3.10" (78.7) | 3.10" (78.7) |
| C | 1.20" (30.6) | 1.20" (30.6) | 1.20" (30.6) | 1.20" (30.6) | 1.20" (30.6) | 1.20" (30.6) |
| D | 3.25" (82.6) | 3.25" (82.6) | 3.25" (82.6) | 3.25" (82.6) | 3.25" (82.6) | 3.25" (82.6) |
| E | 1.88" (47.6) | 1.88" (47.6) | 1.88" (47.6) | 1.88" (47.6) | 1.88" (47.6) | 1.88" (47.6) |
| F | 1.26" (32.0) | 1.46" (37.1) | 1.72" (43.7) | 2.26" (57.4) | 1.72" (43.7) | 1.97" (50.0) |
| G | 1.63" (41.4) | 1.63" (41.4) | 2.25" (57.2) | 2.25" (57.2) | 2.25" (57.2) | 2.25" (57.2) |
| H | 5.00" (127.0) | 5.00" (127.0) | 5.00" (127.0) | 5.00" (127.0) | 5.00" (127.0) | 5.00" (127.0) |



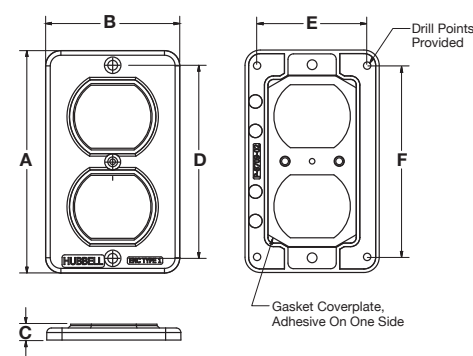
Portable Outlet Boxes Inches (mm)

| | |
|----------|---------------|
| A | 4.30" (109.2) |
| B | 5.00" (127.0) |
| C | 2.77" (70.4) |
| D | 3.28" (83.3) |
| E | 5.79" (147.0) |
| F | 7.28" (184.9) |



Box Covers Inches (mm)

| | |
|----------|--------------|
| A | 3.78" (96.0) |
| B | 2.28" (57.9) |
| C | 0.27" (6.9) |
| D | 3.28" (83.3) |
| E | 1.87" (47.5) |
| F | 3.25" (82.6) |



Style shown is representative of all openings.



Full-Line Catalog

The Bryant full-line catalog showcases our enhanced product offering to provide a breadth of solutions for the industrial, institutional, commercial and residential markets.



Cam-Type Devices and Power Distribution Boxes Brochure

Bryant offers a complete line of high quality, Cam-Type plugs, receptacles and accessories. Also Temporary Electrical Power solutions for demanding applications and environments.



Electric Cord and Cable Reels Brochure

Bryant's NEMA 4X Waterproof Industrial and Commercial Cord Reels are built to provide safe, convenient power and lighting for demanding industrial applications and institutional environments.



CERTIFICATIONS



UL is a global independent safety science company with more than a century of expertise innovating safety solutions and is dedicated to promoting safe living and working environments.

© UL and the UL logo are trademarks of UL LLC © 2014 All Rights Reserved.



Products found with this mark means CSA International found that representative samples of this product met CSA's published Standards for Safety intended for the Canadian market.

© UL and CSA logo are trademarks of UL LLC © 2014 All Rights Reserved.



Known as The Most Trusted Name in Food Safety™, NSF International has been helping businesses in the agriculture, processing, food equipment, restaurant and retail industries to navigate the food safety and regulatory environment for nearly 70 years.

© 2014 NSF International. All rights reserved.