

BRYANT®

More Power...
Faster Charges...
More Options...



Device Charging Centers

USB Stainless Steel Ports Rated for Minimum 10,000 Insertions and Removals



More ways to charge faster

Bryant's Dual USB Charger Duplex Receptacle provides both USB and electrical power in a standard single gang opening. Designed to provide maximum charging for portable electronics, the USB ports are capable of charging two tablets simultaneously.

The USB 4 Port Charger Outlet features a USB port door, which when open enables power. When closed, all power is switched off. This eliminates all current flow for a "zero" no-load draw.



Typical Applications

Ideal for use in new construction and renovation to add capacity for USB charging. Especially suited for use in:

- Offices/Reception
- Hotels/Hospitality
- Schools/Universities
- Hospitals/Healthcare
- Airports/Transportation
- Workstations/Labs
- Residential



Designed for use with

- Apple® Products (iPad®, iPod® and iPhone®)
- Tablet computers
- Digital Readers
- Mobile Phones
- MP3 Players
- Smart Phones
- Smart Watches
- GPS
- USB fans, lights and accessories
- Other USB compatible products



Why Design with a USB Charger

- The USB outlet is a permanent solution for device charging, compatible with all USB powered portable devices. This means no more misplaced chargers or dealing with outlet clutter.
- The Bryant USB outlet is designed to last. Its current transformer converts AC power to DC, providing clean, stable power, low heat, and longevity. Plug-in cubes and adapters tend to have a short product life, making the USB outlet the economical choice.
- Offering an industry-leading 3.8 Amps of power at 5V DC, the Bryant USB Duplex Receptacle has the power to charge your device quickly. The 4 Port Charger Outlet has 5 Amps of available power for a similarly rapid charge.

Performance vs. Energy

- While our devices provide a fast charge, they also excel in efficiency when not in use. When it is not active, the USB Duplex Receptacle enters a sleep mode and consumes minimal power. The USB 4 Port Charger Outlet cuts power completely when the shutter is closed, making it our “Go Green” recommendation.

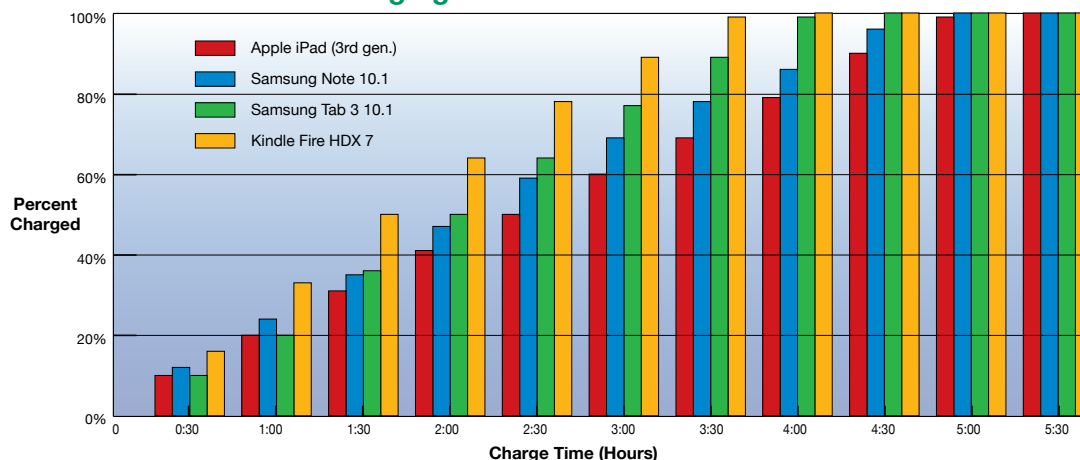
How Fast Does it Charge

- There are many variables which determine total charging time including battery age, cord quality and length, and device condition. The USB chargers from Bryant are designed to deliver more amperage. This enables you to get more power immediately when plugging in multiple portable devices. The individual ports will allocate power as determined by the portable devices. Below is testing done on some of the most popular products.

Where Should a USB Outlet be Installed

- Anywhere people work, meet or rest, they need access to charging power. Common spaces for charging include desks, counter-tops and end-tables. Anywhere you’ve seen a plug-in charger in a wall-box, Bryant’s USB Devices are a better choice for a more permanent solution.
- It’s not just for private homes: USB Receptacles are quickly becoming a standard in offices, airports, hospitals and other commercial spaces. From nurses who use tablets for patient care to travelers charging their phones before their flights, everyone needs a quick charge -- and the Bryant line of USB outlets is the best choice for the job!

Charging Time with USB 4 Port Outlet





Common Features

- Green LED indicator to show USB power available
- Complies with battery charging specification USB BC1.2
- Compatible with USB 1.1/2.0/3.0 devices, including Apple® products



Heavy Duty Stainless Steel USB Ports - firm holding connections are rated for minimum 10,000 insertions and removals extending longevity for many years.



USB Duplex Receptacle Features

- Two USB ports 3.8 Amp, 5V DC, type A, class 2.0
- Tamper-Resistant decorator duplex receptacle
- Standard and Hospital Grade
- cULus listed to UL498 and UL1310



Spring Activated Door - keeps USB ports protected. Shuts off power when not in use.

USB 4 Port Charger Outlet Features

- Four USB ports 5 Amp, 5V DC, type A, class 2.0
- Switch activated port door; when open enables power. When closed, all power is switched off, for a “zero” no-load draw
- cETLus listed to UL1310

USB Charger Tamper-Resistant Duplex Receptacles

Description	Color	15A 125V AC	20A 125V AC
Two USB type 2.0 ports 3.8 Amp, 5 Volt DC, 15 or 20 Amp, 125 Volt AC, Style Line® Decorator Duplex	Black	USBB15BK	USBB20BK
	Brown	USBB15	USBB20
	Gray	USBB15GY	USBB20GY
	Ivory	USBB15I	USBB20I
	Light Almond	USBB15LA	USBB20LA
	White	USBB15W	USBB20W
Hospital Grade ● USB Two USB type 2.0 ports 3.8 Amp, 5 Volt DC, 15 or 20 Amp, 125 Volt AC, Style Line® Decorator Duplex	Black	USBB8200BK	USBB8300BK
	Brown	USBB8200	USBB8300
	Gray	USBB8200GY	USBB8300GY
	Ivory	USBB8200I	USBB8300I
	Light Almond	USBB8200LA	USBB8300LA
	Red	USBB8200R	USBB8300R
	White	USBB8200W	USBB8300W



USB Charger 4 Port Outlet

Description	Color	Catalog Number
USB Charger 4 Port Outlet, four USB type 2.0 ports, 5 Amp, 5 Volt DC, Style Line® Decorator	Black	USBB4BK
	Brown	USBB4
	Gray	USBB4GY
	Ivory	USBB4I
	Light Almond	USBB4LA
	White	USBB4W

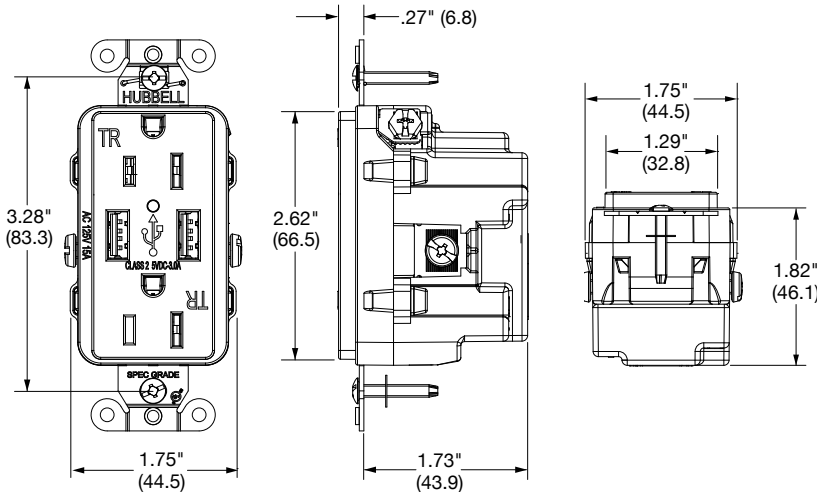


These receptacles/outlets are capable of delivering either 3.8 or 5 amps, 5V DC of USB power. If multiple portable devices are plugged in, the individual ports will allocate power as determined by the portable devices. Suitable for use on circuits with AFCI and GFCI protection.

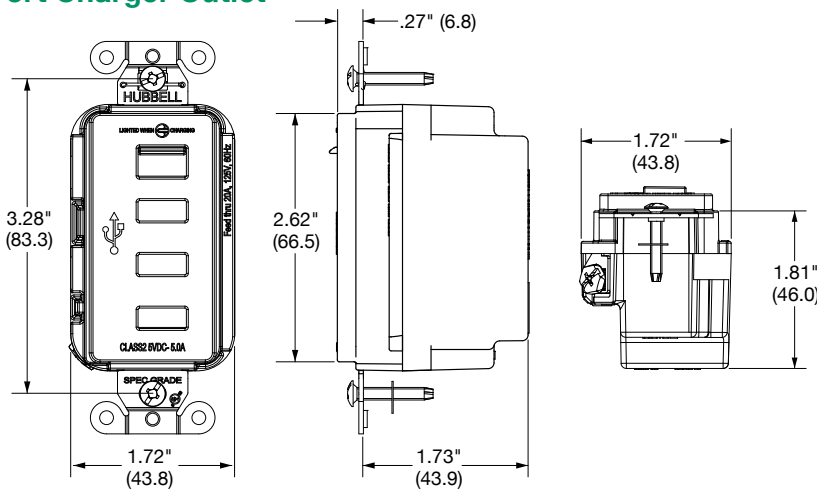


Dimensions Inches (mm)

Duplex Charger



4 Port Charger Outlet



Energy Information

USB Charger	Energy consumed when USBs are not in use		Energy consumed when USBs are fully used	
Duplex Receptacle	No Load Current	.10A	Full Load Current	.323A
	No Load Watts	.63W	Full Load Watts	19.7W
4 Port Outlet	No Load Current	"0"	Full Load Current	.46A
	No Load Watts	"0"	Full Load Watts	29.3W

Specifications

- Rating:
 - Duplex USB: 3.8 Amp, 5V DC
 - 4 Port USB: 5 Amp, 5V DC
- Input voltage: 125V AC, 60Hz
- Circuit feed-through: 20 Amp, 125 Volt
- Dielectric withstand: 1500V AC for 1 minute
- Operating temperature:
 - Maximum continuous 75°C;
 - Minimum -40°C (without impact)
- Meets UL94 for 5V flammability rating
- Complies with battery charging specification USB BC1.2
- Compatible with USB 1.1/2.0/3.0 devices, including Apple® products
- Complies with Part 15 of the FCC rules

Other Bryant Product Solutions



**QUADPLEX®
Receptacles**



**tradeSELECT®
Surface Boxes**



**Surge Protection
and Isolated
Ground
Receptacles**