

# BRYANT®

## Electric Cord and Cable Reels

for Industrial and Commercial Environments



When it Comes to Safety,  
Durability and Performance...  
Bryant Leads the Way



**BRYANT®**  
[www.bryant-electric.com](http://www.bryant-electric.com)



# Weatherproof and Static Discharge Reels

Weatherproof Cable Reels are made for the most abusive and demanding environments. These reels feature a solid steel construction, a 600V rating with SOW-A type cable and UL Type 4X enclosure rating.

Static Discharge Reels ground portable equipment operating in hazardous environments. When properly clamped to ground, the static discharge reel will prevent the build up of static electricity and reduce the chance of sparking which could cause an explosion.



## Weatherproof Cable Reels

- UL Type 4X enclosure rating protects spring motor, junction box, slip ring assembly and cable entrance from hose down and corrosion
- Solid steel construction and polyester baked on powder coat finish provides tightly bonded shield to protect reel from abrasion or corrosion
- Ratchet lock can be disengaged in the field for constant tension applications
- Adjustable, multi-position guide with nylon rollers may be mounted in four different positions

Description	Cable Feet (m)	Cable Type	Amps	Volts AC	Weight Lbs. (kg)	Catalog Number
14" Weatherproof reel	50 (15.2)	14/3 SOW-A	15	600	55 (24.9)	<b>BRY501431W</b>
16" Weatherproof reel	50 (15.2)	12/3 SOW-A	20	600	80 (36.3)	<b>BRY501232W</b>
16" Weatherproof reel	50 (15.2)	12/4 SOW-A	16	600	86 (39.0)	<b>BRY501242W</b>
16" Weatherproof reel	50 (15.2)	10/3 SOW-A	25	600	86 (39.0)	<b>BRY501032W</b>
16" Weatherproof reel	50 (15.2)	10/4 SOW-A	20	600	92 (41.7)	<b>BRY501042W</b>

Note: All weatherproof cable reels are supplied with wire leads and 3/4" N.P.T. hub feed. Power supply cable not supplied.



**BRY501242W**

## Static Discharge Reels

- Solid steel construction for the most demanding environments
- Compact design minimizes required installation space
- Massive grounding jaw clamp provides low resistant ground termination

Description	Cable Feet (m)	Amps	Weight Lbs. (kg)	Catalog Number
Static discharge reel	50 (15.2)	Single 3/32" Steel	12 (5.4)	<b>BRY50SD</b>



**BRY50SD**

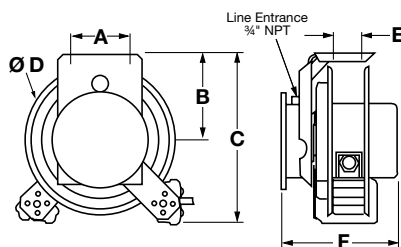
## Specifications

Listing/Certification	UL 355 and CSA, C22.2 No. 21.
Environment	Type 4X enclosure, CAN/CSA - C22.2 No. 21. Dry indoor and wet and damp outdoor non-hazardous location.

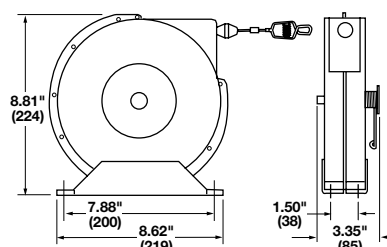
## Dimensions

Inch (mm)	A	B	C	D	E	F	G	H	I	J
14" Reel	6.50" (165)	8.12" (206)	16.25" (413)	13.75" (349)	3.00" (76)	12.19" (310)	3.00" (76)	3.00" (76)	3.00" (76)	6.50" (165)
16" Reel	6.50" (165)	9.12" (232)	18.25" (464)	15.75" (400)	3.00" (76)	14.19" (360)	6.00" (152)	6.00" (152)	4.94" (125)	6.50" (165)

### Weatherproof Cable Reels



### Static Discharge Reels





# Industrial Cord Reels

Industrial Cord Reels are built to provide safe, convenient power and lighting for demanding industrial applications and institutional environments. The industrial reels are all steel construction, have a 300V rating with SJ cord and can be ceiling, wall or bench mounted. They are available in straight blade connector body or portable outlet box versions.



## Industrial Power Cord Reels

- Durable, corrosion resistant steel construction with yellow powder coat finish
- Multi-position arm guide mounts to the ceiling, wall, floor or bench
- 12 AWG cord for greater current carrying capacity
- Positive-latch mechanism automatically maintains desired cord length
- Plug-in 5 ft. long power cord requires no electrical wiring

Cord End	Cable Feet (m)	Cable Type	NEMA Style	Amps	Volts AC	Weight Lbs. (kg)	Catalog Number
NEMA 5-15R connector	45 (13.7)	12/3 SJEO	5-15R	15	125	28 (12.7)	<b>BRY45123C</b>
NEMA 5-20R connector	45 (13.7)	12/3 SJEO	5-20R	20	125	28 (12.7)	<b>BRY45123C20</b>
Portable outlet box with (1) gray duplex receptacle	45 (13.7)	12/3 SJEO	5-15R	15	125	29 (13.2)	<b>BRY45123R</b>
	45 (13.7)	12/3 SJEO	5-20R	20	125	29 (13.2)	<b>BRY45123R20</b>
Portable outlet box with (2) gray duplex receptacles	45 (13.7)	12/3 SJEO	5-20R	20	125	29 (13.2)	<b>BRY45123R220</b>
	45 (13.7)	12/3 SJEO	5-20R	20	125	29 (13.2)	<b>BRY45123GF20</b>

Note: \* Provides open neutral protection.

## Accessories

Description	Weight Lbs. (kg)	Catalog Number
Pivot base 340° rotation fits all industrial models	5 (2.3)	<b>BRY340PB</b>

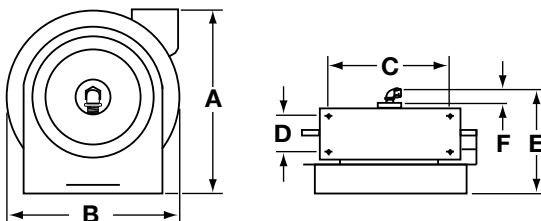
## Specifications

Listing/Certification	UL 355 and CSA, C22.2 No. 21.
Environment	Dry, indoor, non-hazardous locations.
Mounting Positions	Wall, ceiling or bench mount.

## Dimensions

Inch (mm)	A	B	C	D	E	F
	13.00"	12.38"	8.00"	2.50"	9.75"	1.25"
	(330)	(314)	(203)	(64)	(248)	(32)

## Industrial Power Cord Reels





# Commercial Cord Reels

Commercial Cord Reels are designed for the less demanding areas in commercial, institutional and light industrial environments. The commercial reels feature both steel and non-metallic construction and have a 125V rating with SJT type cord. These reels are UL Listed and provide power for all your needs.



## Commercial Cord Reels

- Steel and heavy duty non-metallic design for commercial and general purpose applications
- Molded on plug for power cord requires no electrical wiring
- Compact size takes up little room and can be ceiling, wall or bench mounted
- Automatic ratchet lock holds cord at desired length and provides easy, smooth retraction of cord

Description	Cable Feet (m)	Cable Type	Watts (Max)	Amps	Volts AC	Weight Lbs. (kg)	Catalog Number
Reel with triple tap outlet, black	40 (12.2)	12/3 SJTW	1,875	15	125	9.0 (4.1)	<b>BRYC40123TT</b>
Reel with a 5-15R connector, yellow	25 (7.6)	16/3 SJT	1,250	10	125	8.5 (3.9)	<b>BRYC25163C</b>

Note: Reels supplied with 2 ft. power supply cord and molded on straight blade 15A plug.



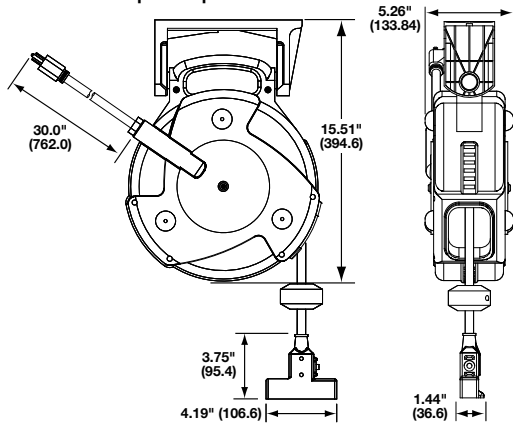
**BRYC40123TT**

## Specifications

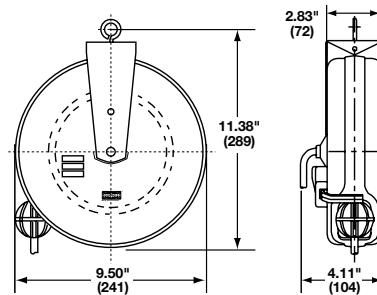
Listing/Certification	UL 355.
Environment	Dry, indoor, non-hazardous locations.

## Dimensions

### Reel with Triple Tap Outlet



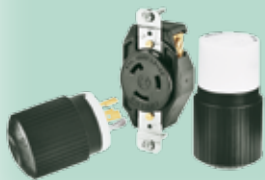
### Reel with 5-15R Connector



**BRYC25163C**

## Also Available from Bryant

### Industrial Wiring Devices



**Industrial Wiring Devices** - With singularly rated NEMA straight blade devices up to 60A, and NEMA and Non-NEMA locking wiring devices up to 60A, Bryant has the most extensive range of wiring device configurations, including midget and power-interrupting designs. Weather-resistant boots are also available.

### Watertight Wiring Devices



**Watertight Devices** – Designed with a Valox® compression nut and body for superior impact and corrosion resistance, Bryant's extensive line of NEMA 4, 4X, 6, and 6P straight blade and locking watertight devices improve on the industry standard. Portable outlet boxes and weather protective covers are also available.



[www.bryant-electric.com](http://www.bryant-electric.com)

