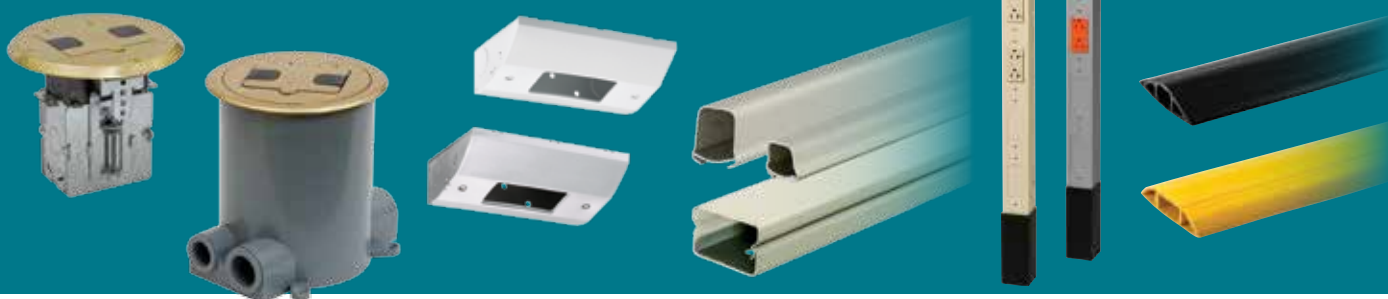




| Table of Contents  | Page |
|--|------|
| <b>Floor Boxes</b>   |      |
| Floor Boxes for Structural Wood Floors . . . . .                       | O-2  |
| Floor Boxes for Structural Concrete Floors . . . . .                   | O-3  |
| Product Dimensions . . . . .   | O-3  |
| <b>Under Cabinet/Counter Power and Low Voltage Device Distribution</b> |      |
| Slim Fit and GFCI Fit Boxes . . . . .                                  | O-4  |
| Vertical or Horizontal Mount and Product Dimensions. . . . .           | O-4  |
| <b>Metal Raceway</b>   |      |
| HBL500, HBL700 and HBL750 Series . . . . .                             | O-5  |
| HBL2000 Series . . . . .   | O-7  |
| <b>Metal PlugTrak®</b>   |      |
| 15 and 20 Amp 125V . . . . .   | O-8  |
| Tamper-Resistant and USB Ports . . . . .                               | O-8  |
| <b>Accessories</b>   |      |
| Painted Metal Plates . . . . .   | O-9  |
| Painted Metal Combination Plates . . . . .                             | O-9  |
| Thermoplastic Communication Frames . . . . .                           | O-9  |
| <b>Technical Information</b>   |      |
| Wire Fill Capacity . . . . .   | O-10 |
| Specifications . . . . .   | O-10 |
| <b>Aluminum Service Poles</b>  |      |
| Aluminum Series Offering . . . . .                                     | O-11 |
| <b>FloorTrak® Floor Cable Covers</b>                                   |      |
| FloorTrak® FT2, FT3, FT4, FT10 Series and Accessories. . . . .         | O-12 |
| Product Dimensions and Specifications. . . . .                         | O-12 |





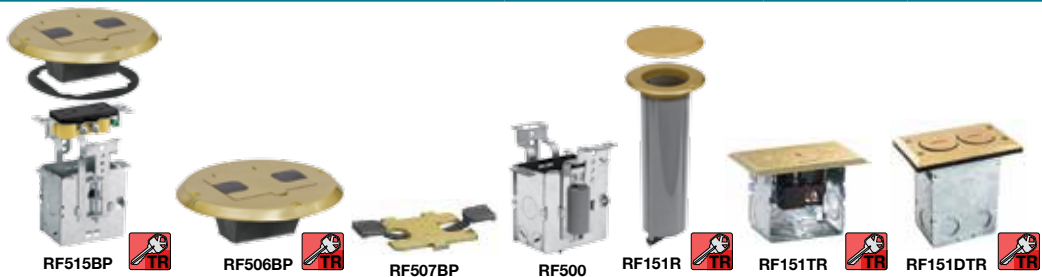
## Floor Boxes for Structural Wood Floors



Wood floor boxes allow for the placement of electrical power or a combination of power and voice/data devices. Boxes easily mount into the floor and are height adjustable (up to 3/4 inch) for optimal alignment and fit.

- Recessed receptacle minimizes plug protrusion, allows furniture to be located over the plug
- Pre-assembled flange and cover
- Removable neoprene gaskets
- Optional low voltage divider
- Height accessible adjustments after the box is mounted

### Floor Boxes for Wood Floors



| Rating                  | Material                | Finish          | Decorator Duplex Receptacle, Floor Box Kit | Flange and Hinged Door Cover Assembly | Replacement Door Only | Adjustable Floor Box, Steel | Drop in Floor Box | Single Receptacle, Floor Box Rated | Duplex Receptacle, Display Rated |
|-------------------------|-------------------------|-----------------|--|---------------------------------------|-----------------------|-----------------------------|-------------------|------------------------------------|----------------------------------|
| NEMA 5-15, 15A 125V<br> | Solid Brass             | Clear Lacquer   | <b>RF515BR</b>                             | <b>RF506BR</b>                        | <b>RF507BR</b>        | —                           | <b>RF151R</b>     | <b>RF151TR</b>                     | <b>RF6500BR</b>                  |
|                         | Aluminum                | Stainless Paint | <b>RF515SS</b>                             | <b>RF506SS</b>                        | <b>RF507SS</b>        | —                           | —                 | —                                  | —                                |
|                         | Aluminum                | Almond Paint    | <b>RF515AL</b>                             | <b>RF506AL</b>                        | <b>RF507AL</b>        | —                           | —                 | —                                  | —                                |
|                         | Aluminum                | Black Paint     | <b>RF515BK</b>                             | <b>RF506BK</b>                        | <b>RF507BK</b>        | —                           | —                 | —                                  | —                                |
|                         | Aluminum                | Chestnut Brown  | <b>RF515BN</b>                             | <b>RF506BN</b>                        | <b>RF507BN</b>        | —                           | —                 | —                                  | —                                |
|                         | Solid Brass             | Brass Plate     | <b>RF515BP</b>                             | <b>RF506BP</b>                        | <b>RF507BP</b>        | —                           | —                 | —                                  | —                                |
|                         | Aluminum                | Chrome Plate    | <b>RF515CH</b>                             | <b>RF506CH</b>                        | <b>RF507CH</b>        | —                           | —                 | —                                  | —                                |
|                         | Aluminum                | Copper Plate    | <b>RF515CU</b>                             | <b>RF506CU</b>                        | <b>RF507CU</b>        | —                           | —                 | —                                  | —                                |
|                         | Aluminum                | Nickel Plate    | <b>RF515NI</b>                             | <b>RF506NI</b>                        | <b>RF507NI</b>        | —                           | —                 | —                                  | —                                |
|                         | Steel                   | —               | —  | —                                     | —                     | <b>RF500</b>                | —                 | —                                  | —                                |
|                         | NEMA 5-20, 20A 125V<br> | Solid Brass     | Clear Lacquer                              | —                                     | —                     | —                           | —                 | <b>RF201R</b>                      | —                                |

Note: See page O-3 for dimensional art.

### JLOAD® Multimedia Outlet (for use with RF500 and RF400 series)



| Rating                  | Color   | JLOAD® Multimedia Outlet, Tamper-Resistant, Provides Power in a Single-Gang Box |                     | JLOAD® Multimedia Box, Steel |
|-------------------------|---|---|---------------------|------------------------------|
|                         |   | with Cat. 5e and Coaxial  | with Two Open Ports | for Wall Mount Only          |
| NEMA 5-15, 15A 125V<br> | Almond<br>Black<br>Gray<br>Ivory<br>Light Almond<br>White | <b>RJ650ALTR</b>  | <b>RJ65ALTR</b>     | <b>RJ600</b>                 |
|                         |   | <b>RJ650BKTR</b>  | <b>RJ65BKTR</b>     |                              |
|                         |   | <b>RJ650GYTR</b>  | <b>RJ65GYTR</b>     |                              |
|                         |   | <b>RJ650ITR</b>   | <b>RJ65ITR</b>      |                              |
|                         |   | <b>RJ650LATR</b>  | <b>RJ65LATR</b>     |                              |
| NEMA 5-20, 20A 125V<br> | Almond<br>Black<br>Gray<br>Ivory<br>Light Almond<br>White | <b>RJ620ALTR</b>  | <b>RJ62ALTR</b>     | <b>RJ600</b>                 |
|                         |   | <b>RJ620BKTR</b>  | <b>RJ62BKTR</b>     |                              |
|                         |   | <b>RJ620GYTR</b>  | <b>RJ62GYTR</b>     |                              |
|                         |   | <b>RJ620ITR</b>   | <b>RJ62ITR</b>      |                              |
|                         |   | <b>RJ620LATR</b>  | <b>RJ62LATR</b>     |                              |
|                         |   | <b>RJ620WTR</b>   | <b>RJ62WTR</b>      |                              |

Note: See page R-6 for tamper-resistant description.

## Floor Boxes for Structural Concrete Floors



Round non-metallic floor box offers an economical solution for electrical power or a combination of power and voice/data applications. Designed for slab-on-grade installation. Quick and easy installation is assured using a push in place leveling system.

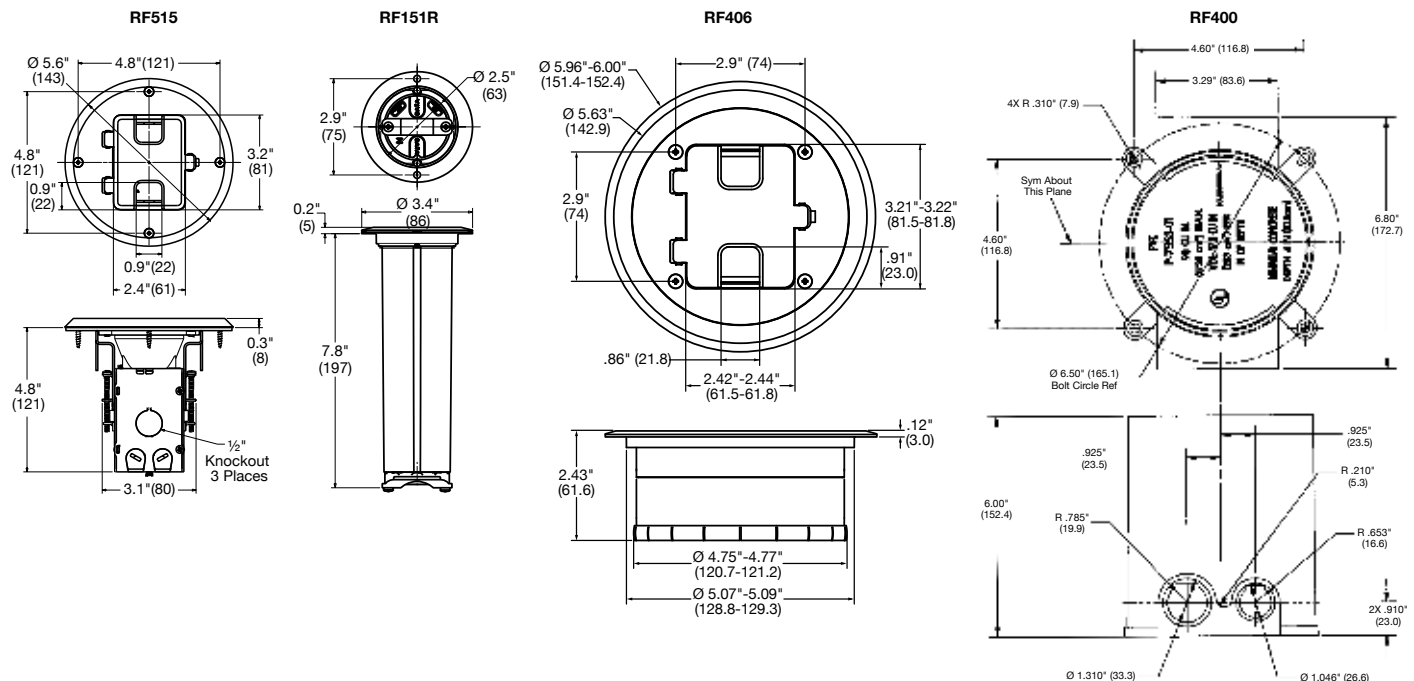
- Recessed receptacle minimizes plug protrusion, allowing furniture to be located over the plug
- Pre-assembled flange, cover and leveling ring for quick installation
- Removable neoprene gaskets allow for independent use of either side of the receptacle with the cover closed
- Parallel PVC hubs for 1 inch and 3/4 inch conduit

### Floor Boxes For Concrete Floors



| Rating                     | Material      | Color/Finish   | Flange and Hinged Door Cover Assembly | Tile Ring and Door Cover Assembly | Floor Box with Concrete Protective Cover | Replacement Door Only | Low Voltage Divider |
|----------------------------|---------------|----------------|---------------------------------------|-----------------------------------|--|-----------------------|---------------------|
| NEMA 5-15,<br>15A 125V<br> | Solid Brass   | Clear Lacquer  | <b>RF406BR</b>                        | <b>RF409BR</b>                    | —  | <b>RF407BR</b>        | —                   |
|                            | Thermoplastic | Almond         | <b>RF406AL</b>                        | —                                 | —  | <b>RF407AL</b>        | —                   |
|                            | Thermoplastic | Black          | <b>RF406BK</b>                        | —                                 | —  | <b>RF407BK</b>        | —                   |
|                            | Thermoplastic | Chestnut Brown | <b>RF406BN</b>                        | —                                 | —  | <b>RF407BN</b>        | —                   |
|                            | Thermoplastic | Gray           | <b>RF406GY</b>                        | —                                 | —  | <b>RF407GY</b>        | <b>RF408</b>        |
|                            | PVC           | Gray           | —                                     | —                                 | <b>RF400</b>                             | —                     | —                   |

### Product Dimensions Inches (mm)





## Under Cabinet/Counter Power and Low Voltage Device Distribution



Under Cabinet/Counter Boxes provide a convenient, out-of-sight way to distribute power and voice/data. These boxes comply with the NEC® for kitchen receptacles, with placement not more than 20 inches above the counter surface. They can also be placed under counter islands, not lower than 15 inches from the surface.

- Use the new JLOAD® Multimedia Outlet, specifically designed to provide power, Category 5e and coaxial. Perfect for under cabinet TV, DVD and security systems. Enables multiple service in a small area.
- Instead of compromising the decorative look of a granite backsplash or designer tiling, hide receptacles beneath cabinets and counters
- Available with nylon or metal cover
- Custom configurable, accepts any decorator style device
- Mounting hardware included

### Under Cabinet/Counter Power Distribution



RU100W

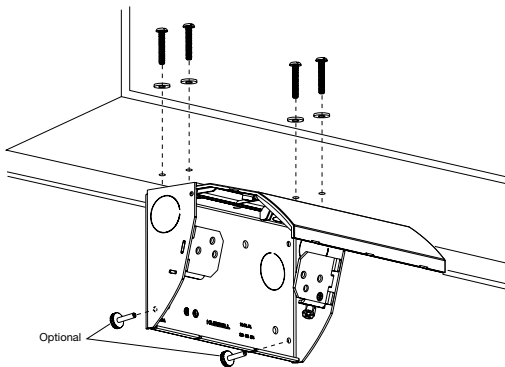


RU200SS

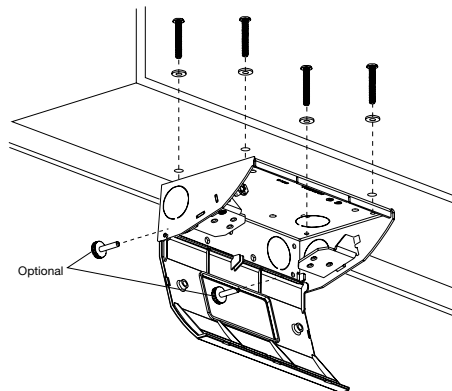
| Material        | Color | RU100SS<br>RU100W<br>RU170W*   | RU200SS<br>RU200W<br>RU270W*   |
|-----------------|-------|--|--|
| Stainless Steel | —     | Slim fit box, offers the sleekest, sleekest, most stylish option for low profile, out-of-sight mounting, devices sold separately | GFCI fit box, designed for GFCI or JLOAD® accommodation where internal wiring space is needed, devices sold separately |
| Metal           | White |  |  |
| Nylon           | White |  |  |

Note: \*Steel box with nylon cover.

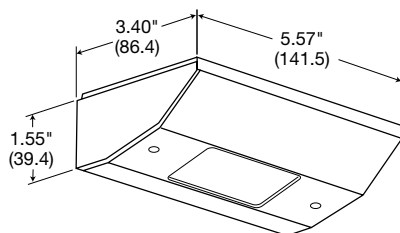
### Vertical Mount



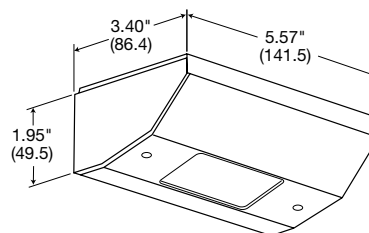
### Horizontal Mount



### Product Dimensions Inches (mm)



RU100W



RU200SS

NEC® is a registered trademark of the National Fire Protection Association (NFPA).

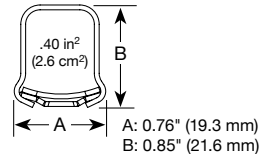
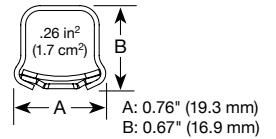
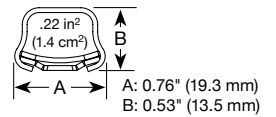


## HBL500, HBL700 and HBL750 Series Metal Raceway



|       | HBL500                 | HBL700            | HBL750            |
|-------|------------------------|-------------------|-------------------|
| Color | Base and Cover, 10 Ft. |                   |                   |
| Ivory | <b>HBL50010IV</b>      | <b>HBL70010IV</b> | <b>HBL75010IV</b> |
| White | <b>HBL50010W</b>       | <b>HBL70010W</b>  | <b>HBL75010W</b>  |
| Color | Base and Cover, 5 Ft.  |                   |                   |
| Ivory | <b>HBL5005IV</b>       | -                 | <b>HBL7505IV</b>  |
| White | -                      | -                 | -                 |

Note: See page O-9 for plates and communication frames.



## HBL500, HBL700 and HBL750 Series Fittings



| Raceway Fittings   | Color          | Internal Elbow                      | External Elbow                      | 90° Flat Elbow                      | 45° Flat Elbow        | Raceway Fittings              | Color          | Flat Elbow 1 1/2" Bend Radius |
|--------------------|----------------|-------------------------------------|-------------------------------------|-------------------------------------|-----------------------|-------------------------------|----------------|-------------------------------|
| HBL500             | Ivory<br>White | <b>HBL517IV</b><br><b>HBL517W</b>   | <b>HBL518IV</b><br><b>HBL518W</b>   | <b>HBL511IV</b><br><b>HBL511W</b>   | <b>HBL512IV</b><br>-  | HBL500,<br>HBL700 &<br>HBL750 | Ivory<br>White | <b>HBL5711BRIVA</b><br>-      |
| HBL700 &<br>HBL750 | Ivory<br>White | <b>HBL717IVA</b><br><b>HBL717WA</b> | <b>HBL718IVA</b><br><b>HBL718WA</b> | <b>HBL711IVA</b><br><b>HBL711WA</b> | <b>HBL712IVA</b><br>- |                               |                |                               |



| Raceway Fittings              | Color          | Internal Twisted Elbows For Double Turns at Right Angles |   | Internal Elbow 1 1/2" Bend Radius | External Elbow 1 1/2" Bend Radius | Tee Fitting                           | Tee Fitting 1 1/2" Bend Radius |
|-------------------------------|----------------|--|---|-----------------------------------|-----------------------------------|---------------------------------------|--------------------------------|
| HBL500,<br>HBL700 &<br>HBL750 | Ivory<br>White | <b>HBL5711RHIVA</b><br><b>HBL5711RHWA</b>                | <b>HBL5711LHIVA</b><br><b>HBL5711LHWA</b> | <b>HBL5717BRIVA</b><br>-          | <b>HBL5718BRIVA</b><br>-          | <b>HBL5715IVA</b><br><b>HBL5715WA</b> | <b>HBL5715BRIVA</b><br>-       |



| Raceway Fittings              | Color          | Elbow Box Connector Right Angles to Boxes with 1/2" KO | Elbow Conduit Connector Right Angles to 1/2" Conduit | Combination 1/2" Connector No Offsetting Needed to 3 1/4" or 4" Box | Adjustable Offset Connector with Two 1/2" KOs | Entrance Connector 3/4" KO and 3/4" Chase Nipple | Corner Box, for Connecting HBL500 or HBL750 Raceway from Ceiling or Corner |
|-------------------------------|----------------|--|--|---|---|--|--|
| HBL500,<br>HBL700 &<br>HBL750 | Ivory<br>White | <b>HBL5783IVA</b><br>-                                 | <b>HBL5784IVA</b><br>-                               | <b>HBL5785AIVA</b><br><b>HBL5785AWA</b>                             | <b>HBL5786IVA</b><br><b>HBL5786WA</b>         | <b>HBL5786AIVA</b><br><b>HBL5786AWA</b>          | <b>HBL5719IVA</b><br><b>HBL5719WA</b>                                      |



| Raceway Fittings | Color          | Transition Fitting* Wiremold® to Bryant | Mounting Strap                      | Connection Cover                    | Bushing, Zinc Plated Steel | Raceway Fittings              | Color          | Flexible Section 18" Long               | Support Clip                        | Coupling, Galvanized Steel |
|------------------|----------------|---|-------------------------------------|-------------------------------------|----------------------------|-------------------------------|----------------|---|-------------------------------------|----------------------------|
| HBL500           | Ivory<br>White | <b>HBL500TFIV</b><br>-                  | <b>HBL504IV</b><br><b>HBL504W</b>   | <b>HBL506IV</b><br><b>HBL506W</b>   | <b>HBL502B</b>             | HBL500,<br>HBL700 &<br>HBL750 | Ivory<br>White | <b>HBL5700FIVA</b><br><b>HBL5700FWA</b> | <b>HBL5703IV</b><br><b>HBL5703W</b> | <b>HBL5701C</b>            |
| HBL700           | Ivory<br>White | <b>HBL700TFIV</b><br>-                  | <b>HBL7004IV</b><br><b>HBL7004W</b> | <b>HBL7006IV</b><br><b>HBL7006W</b> | <b>HBL7002B</b>            |                               |                |   |                                     |                            |
| HBL750           | Ivory<br>White | <b>HBL750TFIV</b><br>-                  | <b>HBL7504IV</b><br><b>HBL7504W</b> | <b>HBL7506IV</b><br><b>HBL7506W</b> | <b>HBL7502B</b>            |                               |                |   |                                     |                            |

Note: \*For transitioning from either Wiremold® V500 to Bryant HBL500 Raceway or Wiremold® V700 to Bryant HBL700 or HBL750 Raceway.

Wiremold® is a registered trademark of The Wiremold Company.





## HBL500, HBL700 and HBL750 Series Metal Raceway

### HBL500, HBL700 and HBL750 Series Device Boxes<sup>(1)</sup>

|  |                                    |                   |                    |                                      |                    |                     |                            |
|--|------------------------------------|-------------------|--------------------|--------------------------------------|--------------------|---------------------|----------------------------|
|  | Standard Device Box, 1 1/4" Deep   |                   |                    |                                      |                    |                     |                            |
|  | Color                              | 1-Gang            | 2-Gang             | 3-Gang                               | 4-Gang             | 5-Gang              | 6-Gang                     |
|  | Ivory                              | <b>HBL5748IVA</b> | <b>HBL57482IVA</b> | <b>HBL57483IVA</b>                   | <b>HBL57484IVA</b> | <b>HBL57485IVA</b>  | <b>HBL57486IVA</b>         |
|  | White                              | <b>HBL5748WA</b>  | <b>HBL57482WA</b>  | <b>HBL57483WA</b>                    | -                  | -                   | -                          |
|  | Shallow Device Box, 1 3/8" Deep    |                   |                    | Deep Device Box, 2 1/4" Deep         |                    |                     |                            |
|  | Color                              | 1-Gang            | 2-Gang             | 3-Gang                               | 1-Gang             | 2-Gang              | 3-Gang                     |
|  | Ivory                              | <b>HBL5747IVA</b> | <b>HBL57472IVA</b> | <b>HBL57473IVA</b>                   | <b>HBL5744SIVA</b> | <b>HBL5744S2IVA</b> | <b>HBL5744S3IVA</b>        |
|  | White                              | <b>HBL5747WA</b>  | <b>HBL57472WA</b>  | -                                    | <b>HBL5744SVA</b>  | <b>HBL5744S2WA</b>  | -                          |
|  | Extra Deep Device Box, 2 3/4" Deep |                   |                    | Extension Box Open Base, 1 3/8" Deep |                    |                     | Extension Box, 1 3/4" Deep |
|  | Color                              | 1-Gang            | 2-Gang             | 3-Gang                               | 1-Gang             | 2-Gang              | 3-Gang                     |
|  | Ivory                              | <b>HBL5744IVA</b> | <b>HBL57442IVA</b> | <b>HBL57443IVA</b>                   | <b>HBL5751IVA</b>  | <b>HBL57512IVA</b>  | <b>HBL57513IVA</b>         |
|  | White                              | <b>HBL5744WA</b>  | <b>HBL57442WA</b>  | -                                    | <b>HBL5751VA</b>   | -                   | <b>HBL5751AIVA</b>         |
|  |                                    |                   |                    |                                      |                    |                     | <b>HBL5751AWA</b>          |

### HBL500, HBL700 and HBL750 Series Round Extension and Fixture Boxes<sup>(1)</sup>

|  |                                |                            |                    |                                       |                   |                     |                                     |
|--|--------------------------------|----------------------------|--------------------|---------------------------------------|-------------------|---------------------|-------------------------------------|
|  | Round Extension Box, Open Base |                            |                    | Round Fixture Box, Solid Base         |                   |                     | Blank Cover <sup>(3)</sup>          |
|  | Color                          | 4 3/4" Dia.                | 5 1/2" Dia.        | 6 3/8" Dia.                           | 4 3/4" Dia.       | 5 1/2" Dia.         | 6 3/8" Dia.                         |
|  | Ivory                          | <b>HBL5737IVA</b>          | <b>HBL5737AIVA</b> | <b>HBL5739AIVA</b>                    | <b>HBL5738IVA</b> | <b>HBL5738AIVA</b>  | <b>HBL5739IVA</b>                   |
|  | White                          | <b>HBL5737WA</b>           | <b>HBL5737AWA</b>  | -                                     | <b>HBL5738WA</b>  | <b>HBL5738AWA</b>   | <b>HBL5739WA</b>                    |
|  |                                |                            |                    |                                       |                   |                     | 1/2" Trade KO in Center             |
|  |                                |                            |                    |                                       |                   |                     | <b>HBL5736IV</b>                    |
|  |                                |                            |                    |                                       |                   |                     | <b>HBL5736W</b>                     |
|  | Color                          | Fanbox, Fans Up to 50 lbs. |                    | Round Fixture Box, for Audible Alarms |                   | Outlet Box, 3" Dia. |                                     |
|  | Ivory                          | <b>HBL5738AFIVA</b>        |                    | <b>HBL5739AABIVA</b>                  |                   | <b>HBL5733IVA</b>   |                                     |
|  | White                          | <b>HBL5738AFWA</b>         |                    | <b>HBL5739AABWA</b>                   |                   | -                   |                                     |
|  |                                |                            |                    |                                       |                   |                     | Blank Cover, for Use with HBL5733IV |
|  |                                |                            |                    |                                       |                   |                     | <b>HBL5731IV</b>                    |
|  |                                |                            |                    |                                       |                   |                     | -                                   |

### HBL500, HBL700 and HBL750 Series Specialty Boxes<sup>(1)</sup>

|  |                                      |                    |  |                   |   |  |                    |  |                      |  |
|--|--------------------------------------|--------------------|--|-------------------|---|--|--------------------|--|----------------------|--|
|  | Device Box, Low-Profile, 1 1/8" Deep |                    | Device Box, 1/2" side KOs, 1 3/4" Deep |                   |   | Blank Extension Box, Open Base                                     |                    |  | Utility Box, 1/2" KO |  |
|  | Color                                | 1-Gang             | 2-Gang                                 | 3-Gang            |   | 1-Gang   | 2-Gang             |  | 3-Gang               |  |
|  | Ivory                                | <b>HBL5748SIVA</b> | <b>HBL5745IVA</b>                      | <b>HBL5745WA</b>  |   | <b>HBL5760IVA</b>  | -                  |  | -                    |  |
|  | White                                | <b>HBL5748SVA</b>  | <b>HBL5745WA</b>                       | -                 | - | -  | <b>HBL57242IVA</b> |  |                      |  |
|  |                                      |                    |  |                   |   |  | <b>HBL57242WA</b>  |  |                      |  |
|  | Alarm Device Box, 1 3/8" Deep        |                    | Alarm Device Box, Extra Deep 2 3/4"    |                   |   | Distribution Box, Mounting Screw Centers of 2 3/4", 3 1/2", 4 1/8" |                    |  |                      |  |
|  | Color                                | Ivory              | <b>HBL5752IVA</b>                      | <b>HBL5753IVA</b> |   | <b>HBL5735IVA</b>  |                    |  |                      |  |
|  | Red                                  | <b>HBL5752RA</b>   | <b>HBL5753RA</b>                       | -                 |   |  |                    |  |                      |  |

### HBL500, HBL700 and HBL750 Series Fittings

|                  |                |                 |                   |                  |                                   |   |                         |                |                                   |
|------------------|----------------|-----------------|-------------------|------------------|-----------------------------------|---|-------------------------|----------------|-----------------------------------|
| Raceway Fittings | Box Connector  |                 | Conduit Connector |                  | Grounding Clamp, for 1/2" Conduit | Special Nipple <sup>(2)</sup> for 1/2" Trade Size KOs | Armored Cable Connector | Ground Clamp   | EMT 1/2" Connector <sup>(4)</sup> |
|                  | 1/2" Male      | 3/4" Male       | 1/2" Female       | 3/4" Female      |                                   |   |                         |                |                                   |
|                  | <b>HBL5781</b> | <b>HBL5781A</b> | <b>HBL5782C</b>   | <b>HBL5782A</b>  |                                   |   |                         |                |                                   |
|                  |                |                 |                   | <b>HBL5709GC</b> | <b>HBL5780</b>                    | <b>HBL5790B</b>                                       | <b>HBL5709</b>          | <b>HBL5791</b> |                                   |

### HBL500, HBL700 and HBL750 Series Tools<sup>(2)</sup>

|               |               |                  |                   |                |        |                               |                |  |
|---------------|---------------|------------------|-------------------|----------------|--------|-------------------------------|----------------|--|
| Raceway Tools | Cutter        |                  | Replacement Blade |                | Bender | Touch-Up Pen, Ivory and White |                |  |
|               | <b>HBL500</b> | <b>HBL605CUT</b> | <b>HBL605K</b>    | <b>HBL607K</b> |        |                               | <b>HBLIWEP</b> |  |
|               | <b>HBL700</b> | <b>HBL700CUT</b> | <b>HBL700K</b>    | <b>HBL607K</b> |        |                               |                |  |
|               | <b>HBL750</b> | <b>HBL607CUT</b> | <b>HBL607K</b>    | <b>HBL607K</b> |        |                               |                |  |

Note: <sup>(1)</sup> Almost devices and plates match Ivory metal raceway.

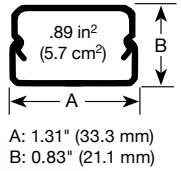
<sup>(2)</sup> Not UL Listed or CSA Certified.

<sup>(3)</sup> For use with HBL5735IVA, HBL5737IVA, HBL5737AIVA, HBL5739AIVA, HBL5738IVA, HBL5738AIVA and HBL5739IVA.

<sup>(4)</sup> Use catalog number HBL5791 for connecting 1/2" EMT to all HBL5700 Series round and rectangular boxes having a 1/2" trade size KO.



## HBL2000 Series Metal Raceway



| Color | Base and Cover*, 5 Ft. | Cover*, 5 Ft.     | Base, 5 Ft.        |
|-------|------------------------|-------------------|--------------------|
| Ivory | <b>HBL2000BCIV</b>     | <b>HBL2000CIV</b> | <b>HBL2000B5IV</b> |
| Gray  | <b>HBL2000BCGY</b>     | <b>HBL2000CGY</b> | <b>HBL2000B5GY</b> |

Note: \*Cover is .025" thick for up to 300V AC applications.

## HBL2000 Series Metal Raceway Fittings<sup>(1)</sup>

| Color | 90° Flat Elbow   | 90° Flat Elbow, 1½" Bend Radius | Tee Fitting      | Tee Fitting, 1½" Bend Radius | External Elbow Coupling | External Elbow, 1½" Bend Radius | Internal Elbow, 1½" Bend Radius |
|-------|------------------|---------------------------------|------------------|------------------------------|-------------------------|---------------------------------|---------------------------------|
| Ivory | <b>HBL2011IV</b> | <b>HBL2011BRIV</b>              | <b>HBL2015IV</b> | <b>HBL2015BRIV</b>           | <b>HBL2018CIV</b>       | <b>HBL2018BRIV</b>              | <b>HBL2017BRIV</b>              |
| Gray  | <b>HBL2011GY</b> | <b>HBL2011BRGY</b>              | <b>HBL2015GY</b> | <b>HBL2015BRGY</b>           | <b>HBL2018CGY</b>       | <b>HBL2018BRGY</b>              | <b>HBL2017BRGY</b>              |

| Color | Blank End Fitting | Entrance End Fitting, ½" KOs | Entrance End Fitting, Large Capacity, ½" and ¾" KOs | Cover Clip, to Hide Seams in Cover | Flush Plate Adaptor | Transition Fitting, Wiremold® to Bryant |
|-------|-------------------|------------------------------|---|------------------------------------|---------------------|---|
| Ivory | <b>HBL2010BIV</b> | <b>HBL2010A2IV</b>           | <b>HBL2010A3IV</b>                                  | <b>HBL2006IV</b>                   | <b>HBL2051HIV</b>   | <b>HBL2000TFIV</b>                      |
| Gray  | <b>HBL2010BGY</b> | <b>HBL2010A2GY</b>           | <b>HBL2010A3GY</b>                                  | <b>HBL2006GY</b>                   | <b>HBL2051HGY</b>   | <b>HBL2000TFGY</b>                      |

| Color | Side Reducing Connector to HBL500 | End Reducing Connector to HBL500 | Coupling, Galvanized Steel | Internal Corner Coupling, Galvanized Steel | Wire Clip, Galvanized Steel | Support Clip, Galvanized Steel, Temporary Use Only | Ground Clamp, Galvanized Steel |
|-------|-----------------------------------|----------------------------------|----------------------------|--|-----------------------------|--|--------------------------------|
| Ivory | <b>HBL2089IV</b>                  | <b>HBL2089EIV</b>                | <b>HBL2001C</b>            | <b>HBL2017TC</b>                           | <b>HBL2000WCA</b>           | <b>HBL2003SC</b>                                   | <b>HBL2009GC</b>               |
| Gray  | —                                 | —                                |                            |  |                             |  |                                |

## HBL2000 Series Device Boxes<sup>(1)</sup>

| Color | Device Box 1-Gang, 1¾" Deep | Device Box 2-Gang, 1¾" Deep |
|-------|-----------------------------|-----------------------------|
| Ivory | <b>HBL2048IV</b>            | <b>HBL20482IV</b>           |
| Gray  | <b>HBL2048GY</b>            | <b>HBL20482GY</b>           |

## HBL2000 Series Tools<sup>(2)</sup>

| Color | Raceway Cutter | Cutter Replacement Blade Set | Touch-Up Paint Pen, Ivory and Gray |
|-------|----------------|------------------------------|------------------------------------|
| Ivory | <b>HBL620C</b> | <b>HBL620BCK</b>             | <b>HBLIWEP</b>                     |
| Gray  |                |                              | <b>HBLGWEP</b>                     |

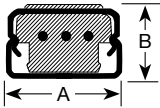
Note: <sup>(1)</sup> Allmond devices and plates match ivory metal raceway.

<sup>(2)</sup> Not UL Listed or CSA Certified.

Wiremold® is a registered trademark of The Wiremold Company.



## Metal PlugTrak® 15 and 20 Amp 125V



A: 1.31" (33.3 mm)  
B: 0.92" (23.4 mm)



### Metal PlugTrak®

| Circuits   | Size  | Amps | No. of Single Receptacles | No. of USB Ports | Receptacle Spacing (in.) | Catalog Number        |                       |
|------------|-------|------|---------------------------|------------------|--------------------------|-----------------------|-----------------------|
|            |       |      |                           |                  |                          | Ivory                 | Gray                  |
| Single     | 3 ft. | 15A  | 6                         | —                | 6                        | <b>HBL20GB306IV</b>   | <b>HBL20GB306GY</b>   |
| TR/Single  | 3 ft. | 15A  | 6                         |                  | 6                        | <b>HBL20GB306IVTR</b> | <b>HBL20GB306GYTR</b> |
| IG/Single  | 3 ft. | 15A  | 6                         | —                | 6                        | <b>HBL20IG306IV</b>   | <b>HBL20IG306GY</b>   |
| USB/Single | 3 ft. | 15A  | 2                         |                  | 2                        | <b>HBL20GB312UIV</b>  | —                     |
| Single     | 3 ft. | 20A  | 6                         | —                | 6                        | <b>HBL24GB306IV</b>   | <b>HBL24GB306GY</b>   |
| TR/Single  | 3 ft. | 20A  | 6                         |                  | 6                        | <b>HBL24GB306IVTR</b> | <b>HBL24GB306GYTR</b> |
| Single     | 5 ft. | 15A  | 10                        | —                | 6                        | <b>HBL20GB506IV</b>   | <b>HBL20GB506GY</b>   |
| IG/Single  | 5 ft. | 15A  | 10                        | —                | 6                        | <b>HBL20IG506IV</b>   | <b>HBL20IG506GY</b>   |
| Single     | 5 ft. | 15A  | 5                         | —                | 12                       | <b>HBL20GB512IV</b>   | <b>HBL20GB512GY</b>   |
| TR/Single  | 5 ft. | 15A  | 5                         |                  | 12                       | <b>HBL20GB512IVTR</b> | <b>HBL20GB512GYTR</b> |
| Two        | 5 ft. | 15A  | 5                         | —                | 12                       | <b>HBL20GBA512IV</b>  | <b>HBL20GBA512GY</b>  |
| IG/Single  | 5 ft. | 15A  | 5                         | —                | 12                       | <b>HBL20IG512IV</b>   | <b>HBL20IG512GY</b>   |
| Single     | 5 ft. | 20A  | 10                        | —                | 6                        | <b>HBL24GB506IV</b>   | <b>HBL24GB506GY</b>   |
| Single     | 5 ft. | 20A  | 5                         | —                | 12                       | <b>HBL24GB512IV</b>   | <b>HBL24GB512GY</b>   |
| TR/Single  | 5 ft. | 20A  | 5                         |                  | 12                       | <b>HBL24GB512IVTR</b> | <b>HBL24GB512GYTR</b> |
| Two        | 5 ft. | 20A  | 5                         | —                | 12                       | <b>HBL24GBA512IV</b>  | <b>HBL24GBA512GY</b>  |
| Single     | 6 ft. | 15A  | 12                        | —                | 6                        | <b>HBL20GB606IV</b>   | <b>HBL20GB606GY</b>   |
| Single     | 6 ft. | 15A  | 8                         | —                | 9                        | <b>HBL20GB609IV</b>   | <b>HBL20GB609GY</b>   |
| Single     | 6 ft. | 15A  | 6                         | —                | 12                       | <b>HBL20GB612IV</b>   | <b>HBL20GB612GY</b>   |
| Single     | 6 ft. | 15A  | 4                         | —                | 18                       | <b>HBL20GB618IV</b>   | <b>HBL20GB618GY</b>   |
| IG/Single  | 6 ft. | 15A  | 12                        | —                | 6                        | <b>HBL20IG606IV</b>   | <b>HBL20IG606GY</b>   |
| USB/Single | 6 ft. | 15A  | 4                         |                  | 4                        | <b>HBL20GB612UIV</b>  | —                     |
| Two        | 6 ft. | 15A  | 8                         | —                | 9                        | <b>HBL20GBA609IV</b>  | <b>HBL20GBA609GY</b>  |
| Two        | 6 ft. | 15A  | 6                         | —                | 12                       | <b>HBL20GBA612IV</b>  | <b>HBL20GBA612GY</b>  |
| Two        | 6 ft. | 15A  | 4                         | —                | 18                       | <b>HBL20GBA618IV</b>  | <b>HBL20GBA618GY</b>  |
| Single     | 6 ft. | 20A  | 12                        | —                | 6                        | <b>HBL24GB606IV</b>   | <b>HBL24GB606GY</b>   |
| Single     | 6 ft. | 20A  | 6                         | —                | 12                       | <b>HBL24GB612IV</b>   | <b>HBL24GB612GY</b>   |
| Single     | 6 ft. | 20A  | 4                         | —                | 18                       | <b>HBL24GB618IV</b>   | <b>HBL24GB618GY</b>   |
| Two        | 6 ft. | 20A  | 6                         | —                | 12                       | <b>HBL24GBA612IV</b>  | <b>HBL24GBA612GY</b>  |
| Two        | 6 ft. | 20A  | 4                         | —                | 18                       | <b>HBL24GBA618IV</b>  | <b>HBL24GBA618GY</b>  |

### Metal PlugTrak® Boxes and Fittings



HBL2048IV



HBL2011IV



HBL2010A2IV



HBL2003SC



HBL2001C



HBL2017TC

| Description       | Catalog Number     | Description                | Catalog Number      |
|-------------------|--------------------|----------------------------|---------------------|
| 1-Gang device box | <b>HBL2048IV*</b>  | Cover clip                 | <b>HBL2006IV*</b>   |
| 2-Gang device box | <b>HBL20482IV*</b> | Blank end fitting          | <b>HBL2010BIV*</b>  |
| External elbow    | <b>HBL2018CIV*</b> | Entrance end fitting       | <b>HBL2010A2IV*</b> |
| Flat elbow        | <b>HBL2011IV*</b>  | Large entrance end fitting | <b>HBL2010A3IV*</b> |
| Tee               | <b>HBL2015IV*</b>  |                            |                     |

| Description              | Catalog Number     |
|--------------------------|--------------------|
| Supporting clip          | <b>HBL2003SC**</b> |
| Coupling                 | <b>HBL2001C**</b>  |
| Internal corner coupling | <b>HBL2017TC**</b> |

Note: \*\*Galvanized Steel.

Note: \*Color shown is Ivory, for gray boxes and fittings, replace suffix IV with GY.

Almond devices and plates match ivory metal raceway.

Bryant Metal PlugTrak is supplied with two HBL2010B(IV) or (GY) Blank End Fittings and one HBL2001C.

Outlets match raceway color. "IG" isolated ground receptacles have an inked orange triangle.

See page R-6 for tamper-resistant description.

Metal PlugTrak® is a registered trademark of Hubbell Incorporated.





## Painted Metal Plates and Thermoplastic Communication Frames



### Painted Metal Plates<sup>(1)</sup> Inches (mm)

| Color  | Gang | Blank        |               |                |                |               |  |
|--------|------|--------------|---------------|----------------|----------------|---------------|--|
|        |      | Switch       | Duplex        | Rectangular    | Box Mount      | Strap Mount   | Single Receptacle,<br>1.40" (35.6) Dia. Hole |
| Almond | 1    | <b>SP1AL</b> | <b>SP8AL</b>  | <b>PHPS1AL</b> | <b>SP14BAL</b> | <b>SP14AL</b> | <b>SP7AL</b>                                 |
|        | 2    | <b>SP2AL</b> | <b>SP82AL</b> | <b>PHPS2AL</b> | <b>SP24BAL</b> | <b>SP24AL</b> | —  |
|        | 3    | <b>SP3AL</b> | <b>SP83AL</b> | <b>PHPS3AL</b> | <b>SP34BAL</b> | <b>SP34AL</b> | —  |
|        | 4    | <b>SP4AL</b> | —             | <b>PHPS4AL</b> | —              | —             | —  |
|        | 5    | <b>SP5AL</b> | —             | <b>PHPS5AL</b> | —              | —             | —  |
|        | 6    | <b>SP6AL</b> | —             | <b>PHPS6AL</b> | —              | —             | —  |
| Gray   | 1    | <b>SP1G</b>  | <b>SP8G</b>   | <b>PHPS1G</b>  | <b>SP14BG</b>  | <b>SP14G</b>  | <b>SP7G</b>                                  |
|        | 2    | <b>SP2G</b>  | <b>SP82G</b>  | <b>PHPS2G</b>  | <b>SP24BG</b>  | <b>SP24G</b>  | —  |

### Painted Metal Combination Plates<sup>(1)</sup>



| Color  | Gang | 1-Toggle, 1-Duplex |                       | Gang | 2-Toggle, 1-Duplex |                       |
|--------|------|--------------------|-----------------------|------|--------------------|-----------------------|
|        |      | 1-Toggle, 1-Duplex | 1-Toggle, 1-Decorator |      | 2-Toggle, 1-Duplex | 2-Toggle, 1-Decorator |
| Almond | 2    | <b>SP18AL</b>      | <b>PJS126AL</b>       | 3    | <b>SP28AL</b>      | —                     |
| Gray   | 2    | <b>SP18G</b>       | <b>PJS126G</b>        | 3    | <b>SP28G</b>       | <b>PJS226G</b>        |

### Thermoplastic Communication Frames<sup>(1)</sup> Inches (mm)

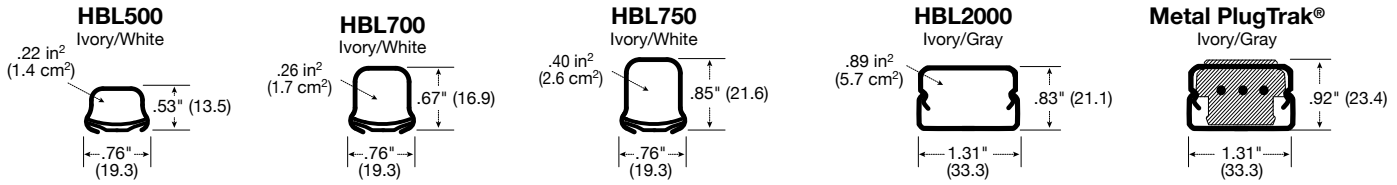


| Color  | Gang | Blank                  |                        |                        |                        |                                  |                  |
|--------|------|------------------------|------------------------|------------------------|------------------------|----------------------------------|------------------|
|        |      | 2-Port Decorator Frame | 3-Port Decorator Frame | 4-Port Decorator Frame | 6-Port Decorator Frame | Decorator, .41" (10.3) Dia. Hole | Decorator, Blank |
| Almond | 1    | <b>NS612AL</b>         | <b>NS613AL</b>         | <b>NS614AL</b>         | <b>NS616AL</b>         | <b>NS621AL</b>                   | <b>NS620AL</b>   |
| Gray   | 1    | <b>NS612GY</b>         | <b>NS613GY</b>         | <b>NS614GY</b>         | <b>NS616GY</b>         | —                                | <b>NS620GY</b>   |

Note: <sup>(1)</sup> Almond devices and plates match ivory metal raceway.  
 Bryant's Audio/Video Connectors allow custom creation of multimedia outlets and workstations while maintaining a decorative look.  
 See Network Wiring Section Q for more information.



### Metal Raceway Profiles Quick Reference Guide Inches (mm)



### Metal Raceway Series Wire Fill Capacities

|  | Power<br>(THHN/T90 Nylon) |            |            | Voice  |         | Data<br>(Copper Cables) |            |           |            |               | Data<br>(Multimode Fiber Optic Cables) |                        |                         |    |
|--|---------------------------|------------|------------|--------|---------|-------------------------|------------|-----------|------------|---------------|--|------------------------|-------------------------|----|
|  | #14<br>AWG                | #12<br>AWG | #10<br>AWG | 4-Pair | 25-Pair | Type<br>RG59U           | Cat.<br>5e | Cat.<br>6 | Cat.<br>6A | Cat. 6<br>STP | (2) or (4) Fiber<br>Round Cable        | Fiber Optic<br>Jumpers | Fiber Optic<br>Zip Cord |    |
| Wire O.D. (inches)                               | 0.111                     | 0.13       | 0.164      | 0.19   | 0.41    | 0.242                   | 0.21       | 0.25      | 0.35       | 0.29          | 0.19                                   | 0.118                  | 0.12 x 0.24             |    |
| Wire Area (square in.)                           | 0.0097                    | 0.0133     | 0.0211     | 0.0283 | 0.1320  | 0.0460                  | 0.0346     | 0.0491    | 0.0962     | 0.0660        | 0.0283                                 | 0.0109                 | 0.0288                  |    |
| Channel Area<br>Square inches (cm <sup>2</sup> ) | 40% Wire Fill Capacity    |            |            |        |         |                         |            |           |            |               |  |                        |                         |    |
| HBL500   | 0.22 (1.4)                | 7          | 5          | 3      | 2       | 0                       | 1          | 2         | 1          | 1             | 1                                      | 2                      | 8                       | 2  |
| HBL700   | 0.26 (1.7)                | 10         | 7          | 4      | 3       | 0                       | 2          | 3         | 2          | 1             | 1                                      | 3                      | 8                       | 3  |
| HBL750   | 0.40 (2.6)                | 12         | 9          | 5      | 6       | 1                       | 3          | 5         | 3          | 2             | 2                                      | 6                      | 15                      | 6  |
| HBL2000  | 0.89 (5.7)                | 7          | 7          | 0      | 13      | 3                       | 8          | 10        | 7          | 4             | 5                                      | 13                     | 33                      | 12 |

Note: Pathway (Raceway) fill shall be 40% maximum. Raceway fittings and outlets/receptacles reduce the cross section of the raceway system, thus reducing overall cable fill capacity.

### Metal PlugTrak® Specifications

|                          |                         |
|--------------------------|-------------------------|
| Receptacle configuration | NEMA 5-15R              |
| Wire size                | #12 AWG stranded copper |
| Receptacle face          | Thermoplastic           |
| Receptacle rating        | 15A 125V                |
| Material                 | Steel                   |

### Codes/Standards

|                            |  |
|----------------------------|--|
| TIA/EIA                    | 569B Commercial Building Standard for Telecommunications Pathways and Spaces |
| UL Standard                | UL 5 Surface Metal Raceway and Fittings                                      |
| UL File Number             | E253976 / E253830 / E253833  |
| CSA Standard Surface Metal | C22.2 No. 62 Surface Raceway Systems   |

Metal PlugTrak® is a registered trademark of Hubbell incorporated.

# Delivery Systems

## Aluminum Service Poles



### Aluminum Series Offering

Bryant offers a line of gray, ivory and clear anodized aluminum service poles. These attractive and durable poles effectively distribute power and telecommunications wiring from above the ceiling to workstations below. They are offered in lengths of 10' 2", 12' 2", and 15' 2" with a variety of electrical wiring devices. Poles with three service capability have a divider to separate power and low voltage wiring.

A blank pole with knockouts is also offered which does not have devices or wiring. In addition to a standard pole, which has two 20 amp duplex receptacles, an isolated ground or surge suppression version is also available. All poles, except the blank versions, are factory wired with Bryant Decorator Receptacles. Two decorator knockouts are also provided on the same side as the power receptacles for communication outlets.

### Ordering Information Feet (m)

Aluminum service poles, gray or ivory painted and clear anodized aluminum, decorator duplex receptacles and two decorator knockouts for communications, includes ceiling trim mounting plate and scuff boot.

| Description  | Height        | Catalog Number    |                     | Clear Anodized Aluminum |
|--|---------------|-------------------|---------------------|-------------------------|
|  |               | Gray              | Ivory               |                         |
| Three service, two 20A 125V decorator duplex receptacles, one circuit  | 10' 2" (3.10) | <b>BRYPP10A</b>   | <b>BRYPP10AI</b>    | <b>BRYPP10AAL</b>       |
|  | 12' 2" (3.71) | <b>BRYPP12A</b>   | <b>BRYPP12AI</b>    | <b>BRYPP12AAL</b>       |
|  | 15' 2" (4.62) | <b>BRYPP15A</b>   | <b>BRYPP15AI</b>    | <b>BRYPP15AAL</b>       |
| Three service, one orange isolated ground 20A 125V decorator duplex receptacle, one 20A 125V decorator duplex receptacle, two circuits                         | 10' 2" (3.10) | <b>BRYPP10IGA</b> | <b>BRYPP10IGA I</b> | —                       |
| Three service, two orange isolated ground 20A 125V decorator duplex receptacles, one isolated ground surge suppression 20A 125V duplex receptacle, one circuit | 10' 2" (3.10) | <b>BRYPP10SA</b>  | <b>BRYPP10SAI</b>   | —                       |
| Three service, blank pole, divider, four decorator device knockouts  | 10' 2" (3.10) | <b>BRYPP0A</b>    | <b>BRYPP0AI</b>     | <b>BRYPP0AAL</b>        |
|  | 12' 2" (3.71) | <b>BRYPP012A</b>  | <b>BRYPP012AI</b>   | <b>BRYPP012AAL</b>      |
|  | 15' 2" (4.62) | <b>BRYPP015A</b>  | <b>BRYPP015AI</b>   | <b>BRYPP015AAL</b>      |
| Adjustable T-bar assembly for mounting poles in the middle of ceiling tile   |               | <b>BRYATB</b>     | <b>BRYATB</b>       | <b>BRYATB</b>           |
| Replacement service pole trim kit (office white)   |               | <b>BRYPPTRIM1</b> | <b>BRYPPTRIM1</b>   | <b>BRYPPTRIM1</b>       |

Note: See Network Wiring Section Q for additional information on datacom products.

### Specifications Inches (mm)

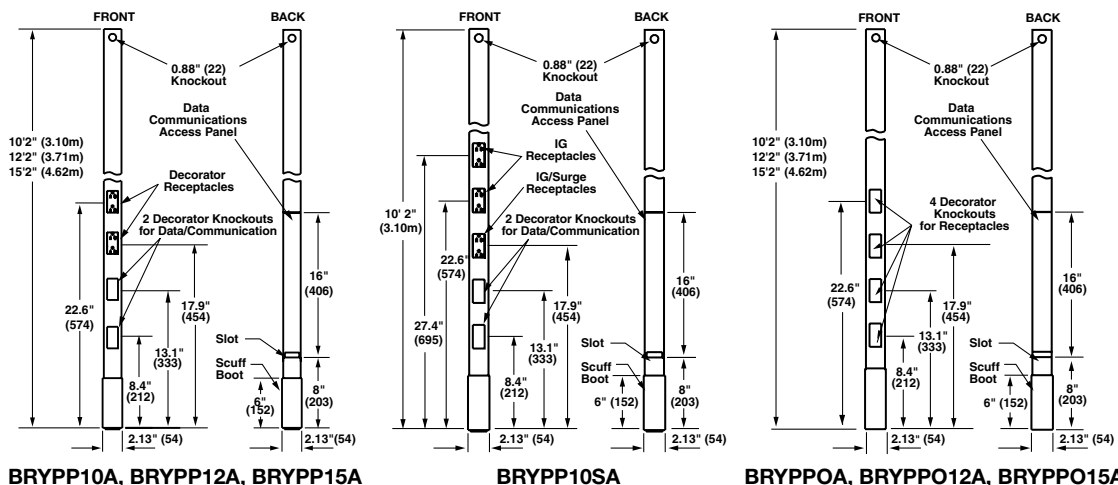
Material: Extruded aluminum, 0.05" (1.27mm) thick  
 Finish: Gray, ivory or clear anodized aluminum  
 Conductors: #12 AWG stranded copper

Receptacles: (see drawings below)  
 Listing: UL Listed

| Wiring Capacity (@40% fill)                  | Voice Data Channel* |        |         | Power Channel** |
|--|---------------------|--------|---------|-----------------|
|  | Cat. 5e             | Cat. 6 | Cat. 6A |                 |
| BRYPP10A, BRYPP12A, BRYPP15A: BRYPP10IGA     | 26                  | 11     | 9       | 41              |
| BRYPP10SA, BRYPP10SAI                        | 8                   | 6      | 3       | 41              |
| BRYPP0A, BRYPP012A, BRYPP015A (with barrier) | 26                  | 11     | 9       | 41              |

Note: \*Pole wiring capacity (telephone fill): Cat. 5 UTP (1.96 sq. ft.).  
 \*\*#12 THHN stranded.

### Product Dimensions Inches (mm)



**BRYPP10AI**



**BRYPP10IGA**



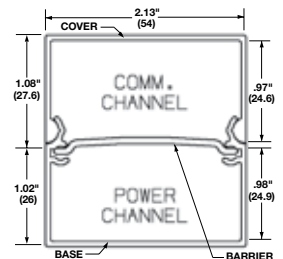
**BRYPP10SAI**



**BRYATB**



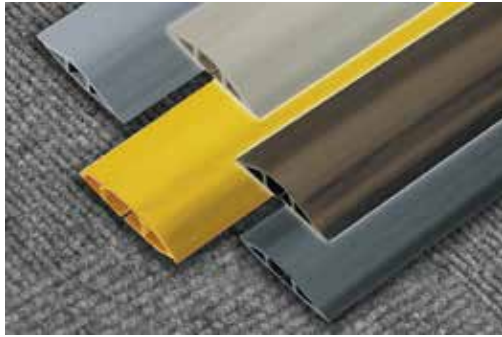
**BRYPPTRIM1**



**Service Pole Cross Section**



## FloorTrak® Floor Cable Covers



FloorTrak® is a flexible, non-metallic cover for cables that run over the floor when portable cords and cables cannot be concealed or routed away from traffic patterns. FloorTrak protects, organizes and reduces trip hazards.

- Four different sizes mean it will handle cables of up to 1.25 inches (31.8mm) in diameter
- FT2, FT3 and FT4 are available in five PVC colors to blend with various decors
- FT10 is available in black and yellow colors only
- The F10 Heavy Duty FloorTrak is ideal for applications such as industrial work areas, food processing plants and abusive areas where cable management is necessary



### FloorTrak® 2 Feet (m)

| Color  | Length       | Catalog Number    |
|--------|--------------|-------------------|
| Black  | 10.0' (3.05) | <b>BRYFT2BK10</b> |
| Brown  | 10.0' (3.05) | <b>BRYFT2BR10</b> |
| Beige  | 10.0' (3.05) | <b>BRYFT2BG10</b> |
| Gray   | 10.0' (3.05) | <b>BRYFT2GY10</b> |
| Yellow | 10.0' (3.05) | <b>BRYFT2Y10</b>  |



### FloorTrak® 3 Feet (m)

| Color  | Length       | Catalog Number    |
|--------|--------------|-------------------|
| Black  | 5.0' (1.52)  | <b>BRYFT3BK5</b>  |
| Black  | 25.0' (7.62) | <b>BRYFT3BK25</b> |
| Brown  | 5.0' (1.52)  | <b>BRYFT3BR5</b>  |
| Brown  | 25.0' (7.62) | <b>BRYFT3BR25</b> |
| Beige  | 5.0' (1.52)  | <b>BRYFT3BG5</b>  |
| Beige  | 25.0' (7.62) | <b>BRYFT3BG25</b> |
| Gray   | 5.0' (1.52)  | <b>BRYFT3GY5</b>  |
| Gray   | 25.0' (7.62) | <b>BRYFT3GY25</b> |
| Yellow | 5.0' (1.52)  | <b>BRYFT3Y5</b>   |
| Yellow | 25.0' (7.62) | <b>BRYFT3Y25</b>  |



### FloorTrak® 4 Feet (m)

| Color  | Length       | Catalog Number    |
|--------|--------------|-------------------|
| Black  | 5.0' (1.52)  | <b>BRYFT4BK5</b>  |
| Black  | 25.0' (7.62) | <b>BRYFT4BK25</b> |
| Gray   | 25.0' (7.62) | <b>BRYFT4GY25</b> |
| Yellow | 5.0' (1.52)  | <b>BRYFT4Y5</b>   |
| Yellow | 25.0' (7.62) | <b>BRYFT4Y25</b>  |



### FloorTrak® 10 (Heavy Duty) Feet (m)

| Color  | Length      | Catalog Number    |
|--------|-------------|-------------------|
| Black  | 3.0' (.914) | <b>BRYFT10BK3</b> |
| Black  | 5.0' (1.52) | <b>BRYFT10BK5</b> |
| Yellow | 3.0' (.914) | <b>BRYFT10Y3</b>  |
| Yellow | 5.0' (1.52) | <b>BRYFT10Y5</b>  |

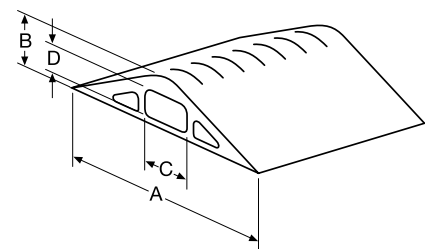


### Accessories

| Description                                       | Catalog Number |
|---|----------------|
| 1.0" wide, 75 ft. roll double-sided adhesive tape | <b>BRYFTT1</b> |
| 2.0" wide, 75 ft. roll double-sided adhesive tape | <b>BRYFTT2</b> |

### Product Dimensions Inches (mm)

| FloorTrak®         | FT2                           | FT3                            | FT4                            | FT10 (Heavy Duty)                |
|--------------------|-------------------------------|--------------------------------|--------------------------------|----------------------------------|
| Width (A)          | 2.75" (69.9)                  | 3.00" (76.2)                   | 3.25" (82.6)                   | 5.60" (142.2)                    |
| Height (B)         | 0.53" (13.5)                  | 0.75" (19.1)                   | 1.10" (27.9)                   | 1.70" (43.2)                     |
| Center Hole (Cx D) | 0.60" x 0.31"<br>(15.2 x 7.9) | 0.75" x 0.50"<br>(19.1 x 12.7) | 1.21" x 0.75"<br>(30.7 x 19.1) | 1.81" x 1.25"<br>(45.98 x 31.75) |



### Specifications

|                       |                                |
|-----------------------|--------------------------------|
| Material              | Rigid PVC                      |
| Operating temperature | 0°F to +120°F (-18°C to +49°C) |