



Table of Contents	Page
Weatherproof and Static Discharge Reels	L-2
Accessories	L-2
Product Dimensions.....	L-2
Industrial Cord Reels	L-3
Pivot Base	L-3
Product Dimensions.....	L-3
Commercial Cord Reels	L-3
Product Dimensions.....	L-3
Cord Reels with Hand Lamps	L-4
Product Dimensions.....	L-4
Technical Information	
Specifications.....	L-4



Electric Cord and Cable Reels



Weatherproof Cable Reels



- UL Type 4X enclosure rating protects spring motor, junction box, slip ring assembly and cable entrance from hose/down or corrosion
- Multi-position nylon roller guide can be mounted in four different positions
- Ratchet lock can be disengaged in field for constant tension applications
- Powder coated, solid steel construction protects reel from abrasion or corrosion
- Optional pivot base allows 340° rotation of reel and increases range of cable to nearly any direction

Weatherproof Cable Reels, 50 Feet (15.2m)

Description	Cable Type	Amps	Volts AC	Weight Lbs. (kg)	Catalog Number
14" weatherproof reel	14/3 SOW-A	15	600	55 (24.9)	BRY501431W*
16" weatherproof reel	12/3 SOW-A	20	600	80 (36.3)	BRY501232W*
16" weatherproof reel	12/4 SOW-A	16	600	86 (39.0)	BRY501242W*
16" weatherproof reel	10/3 SOW-A	25	600	86 (39.0)	BRY501032W*
16" weatherproof reel	10/4 SOW-A	20	600	92 (41.7)	BRY501042W*

Note: *All weatherproof cable reels are supplied with wire leads and 3/4" NPT hub feed. Power supply cable not supplied.



BRY501242W

Accessories

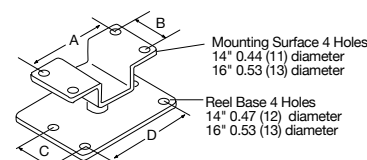
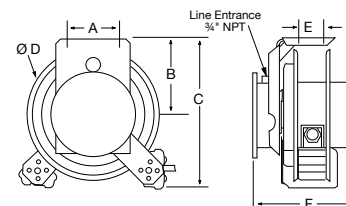


BRY14PB

Description	Weight Lbs. (kg)	Description
14" pivot base	5 (2.3)	BRY14PB
16" pivot base	13 (5.9)	BRY16PB
Replacement stop	0.2 (.09)	BRYWPBS

Product Dimensions Inches (mm)

	Reel		Base	
	14"	16"	14"	16"
A	6.50" (165)	6.50" (165)	3.00" (76)	6.00" (152)
B	8.12" (206)	9.12" (232)	3.00" (76)	6.00" (152)
C	16.25" (413)	18.25" (464)	3.00" (76)	4.94" (125)
D	13.75" (349)	15.75" (400)	6.50" (165)	6.50" (165)
E	3.00" (76)	3.00" (76)	—	—
F	12.19" (310)	14.19" (360)	—	—



Static Discharge Reels



- Compact design minimizes required installation space
- Steel construction
- Available with steel or nylon coated steel cable
- Large grounding jaw clamp provides low resistant ground termination

Static Discharge Reels, 50 Feet (15.2m)

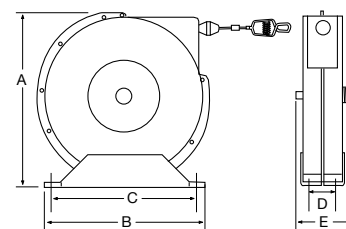
Cable Type	Weight Lbs. (kg)	Catalog Number
Single 3/32" steel	12 (5.4)	BRY50SD



BRY50SD

Product Dimensions Inches (mm)

	Reel
A	8.81" (224)
B	8.62" (219)
C	7.88" (200)
D	1.50" (38)
E	3.35" (85)



Electric Cord and Cable Reels



Industrial Cord Reels



- Durable, corrosion-resistant steel construction with yellow powder coat finish
- Multi-position arm guide mounts to the ceiling, wall, floor or bench
- #12 AWG cord for greater current carrying capacity
- Positive-latch mechanism automatically maintains desired cord length
- Plug-in 5 ft. long power cord requires no electrical wiring

Industrial Power Cord Reels, 45 Feet (13.7m), 12/3 SJE0 Cable Type

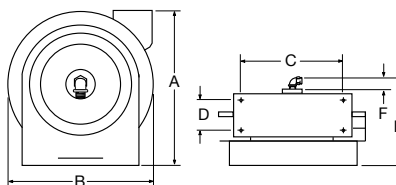


Cord End	Weight Lbs. (kg)	NEMA 5-15R, 15A 125V	NEMA 5-20R, 20A 125V
Straight blade connector	28 (12.7)	BRY45123C	BRY45123C20
Portable outlet box with (1) gray duplex receptacle	29 (13.2)	BRY45123R	BRY45123R20
Portable outlet box with (2) gray duplex receptacles	29 (13.2)	—	BRY45123R220
Portable outlet box with (1) ground fault* protected, gray duplex receptacle	29 (13.2)	—	BRY45123GF20

Note: * Provides open neutral protection.

Product Dimensions Inches (mm)

Reel			
A	13.00" (330)	D	2.50" (64)
B	12.38" (314)	E	9.75" (248)
C	8.00" (203)	F	1.25" (32)



Pivot Base



Description	Catalog Number
Pivot base 340° rotation fits all industrial models, 5lbs (2.3 kg)	BRY340PB

Commercial Cord Reels



- Steel and heavy duty non-metallic design for commercial and general purpose applications
- Molded on plug for power cord requires no electrical wiring
- Compact size takes up little room and can be ceiling, wall or bench mounted
- Automatic ratchet lock holds cord at desired length and provides easy, smooth retraction of cord

Commercial Cord Reels, Feet (m)

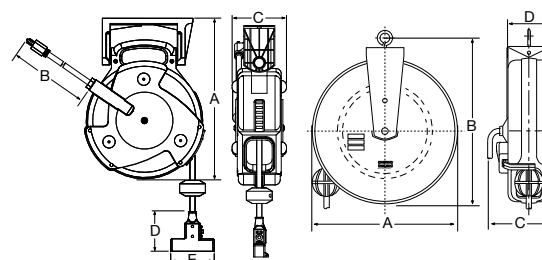


Description	Cable Feet (m)	Cable Type	Watts (Max)	Amps Volts	Weight Lbs. (kg)	Catalog Number
Triple tap outlet, black	40 (12.2)	12/3 SJTW	1,875	15A 125V AC	9.0 (4.1)	BRYC40123TT
5-15R connector, yellow	25 (7.6)	16/3 SJT	1,250	10A 125V AC	8.5 (3.9)	BRYC25163C

Note: Reels supplied with 2 ft. power supply cord and molded on straight blade 15A plug.

Product Dimensions Inches (mm)

	Triple Tap	5-15R Connector
A	15.51" (394.6)	9.50" (241)
B	30.0" (762.0)	11.38" (289)
C	5.26" (133.84)	4.11" (104)
D	3.75" (95.4)	2.83" (72)
E	4.19" (106.6)	—



Electric Cord and Cable Reels



Cord Reels with Hand Lamps



- For more light where you need it, consider our cord reels with attached hand lamps
- With choices such as incandescent, fluorescent and LED lamps, more light can be brought to more places, small or large
- These cord reels are constructed of durable, corrosion-resistant steel to last through the toughest jobs and the desired cord length is automatically maintained through a positive-latch mechanism

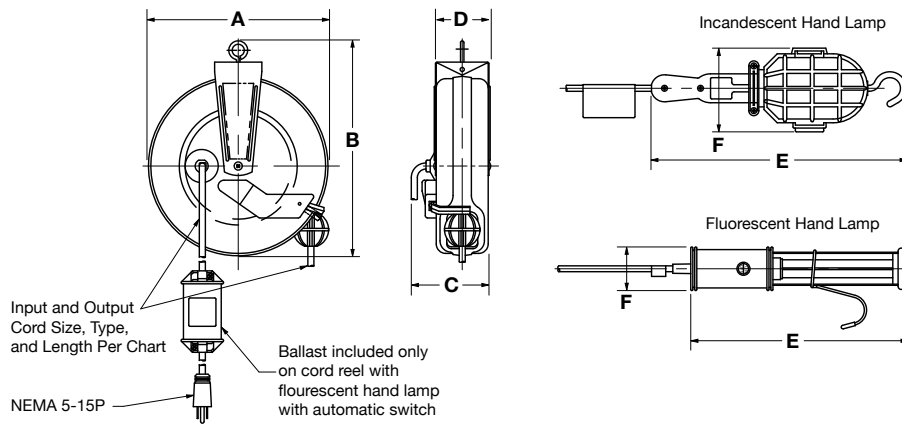
Cord Reels with Hand Lamps, Feet (m)

Description	Wattage	Lumen Output	Light Amps / Outlet Amps	Volts	Cord Type	Cord Length Feet (m)	Catalog Number
Reel with LED hand lamp, with flashlight end, white	9	920/120	0.065 / N/A	125	18/2 SJTOW	40 (12.2)	BRYC40182LED
Reel with non-metallic incandescent hand lamp and automatic shut off switch, yellow	75 Max.	1,150 Max.	N/A / N/A	125	16/3 SJT	25 (7.6)	BRYC25163AIN
Reel with metallic incandescent hand lamp with receptacle, yellow	75 Max.	1,150 Max.	N/A / 10	125	14/3 SJT	25 (7.6)	BRYC25143IN
Reel with fluorescent hand lamp and automatic shut off switch, white	13	825	0.3 / N/A	120	18/2 SJTOW	40 (12.2)	BRYC40182AFL
Reel with fluorescent hand lamp and in-line receptacle, white	13	825	0.3 / 12	120	16/3 SJT	40 (12.2)	BRYC40163FL



Product Dimensions Inches (mm)

Reel with Hand Lamps		
A	9.50" (241.3)	
B	11.38" (288.9)	
C	4.11" (104.4)	
D	2.83" (72.0)	
E	Incandescent	Fluorescent
F	13.52" (343.3)	11.50" (292.0)
	4.43" (112.5)	2.31" (58.7)



Specifications

Weatherproof Cable Reels

Listings

UL 355 and CSA, C22.2 No. 21

Environment

Type 4X enclosure, CAN/CSA - C22.2 No. 94.2
Dry, indoor and wet and damp outdoor non-hazardous locations

Industrial Cord Reels

UL 355 and CSA, C22.2 No. 21

Dry, indoor, non-hazardous locations

Commercial Cord Reels

UL 355

Dry, indoor, non-hazardous locations

Cord Reel with Hand Lamps

UL, CSA, ETL

Dry, indoor, non-hazardous locations