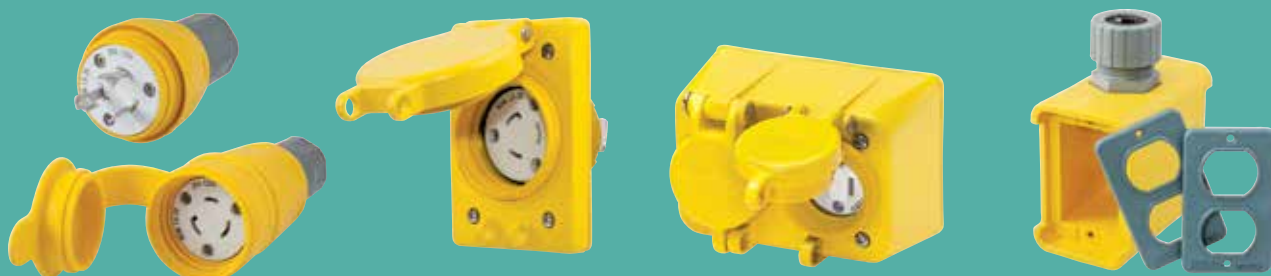
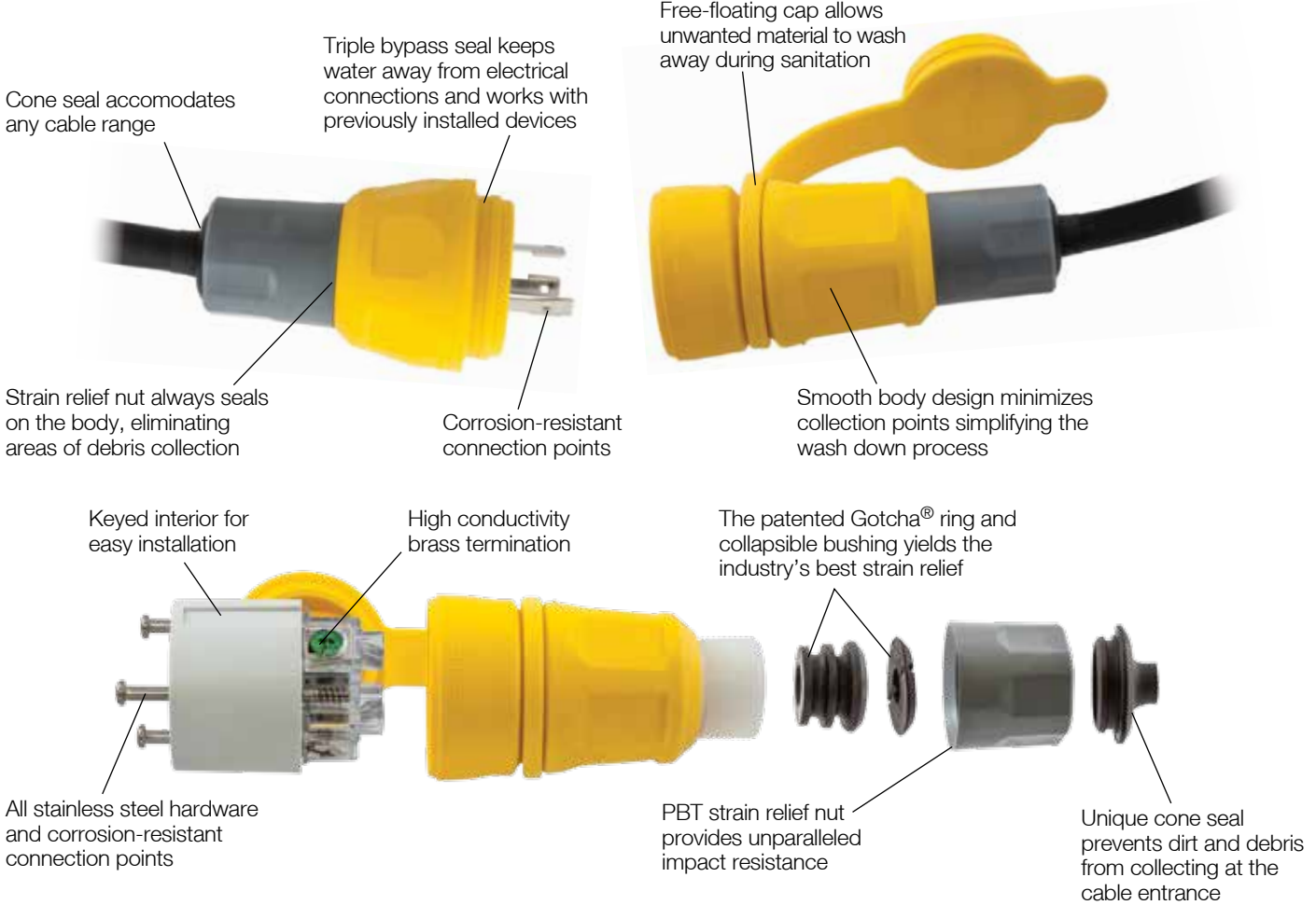




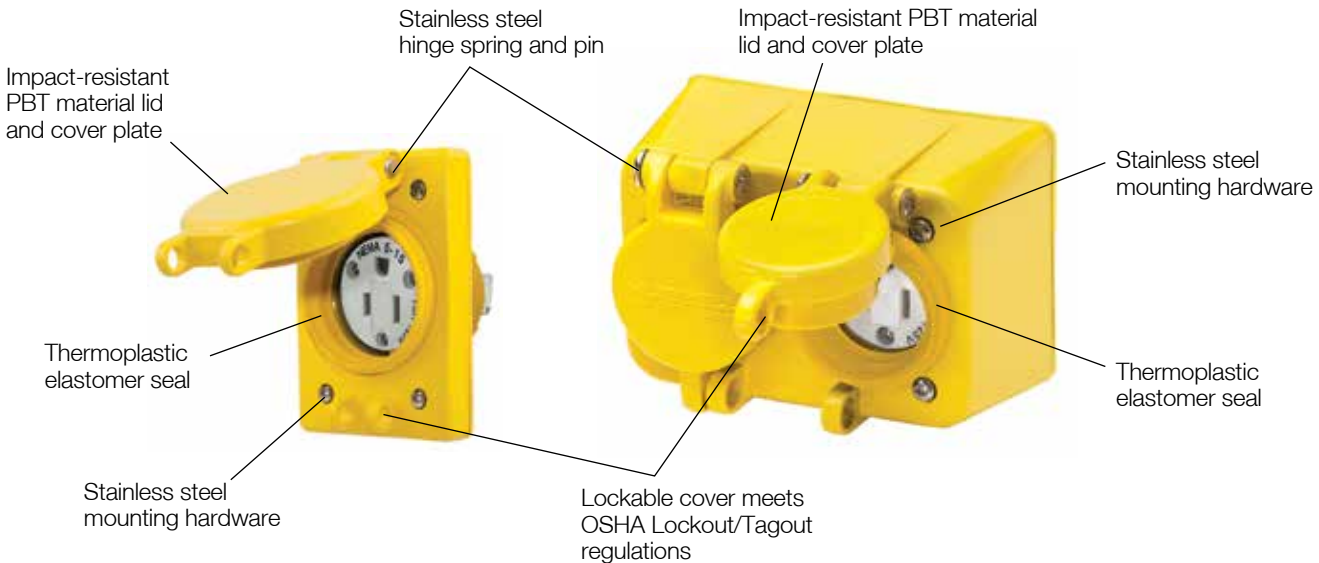
Table of Contents	Page
<b>Watertight Straight Blade Devices</b>	
15 and 20 Amp Straight Blade Devices . . . . .	H-3
<b>Watertight Locking Devices</b>	
15 Amp Locking Devices . . . . .	H-4
20 Amp Locking Devices . . . . .	H-5
30 Amp Locking Devices . . . . .	H-6
<b>Accessories</b>	
Lift Cover Assembly and Replacement Interiors . . . . .	H-7
<b>FD Boxes and Angled Adapters</b>	
Boxes and Adapters . . . . .	H-8
<b>Weather Protective Lift Covers, Portable Outlet Boxes and Plates</b>	
Lift Covers, Portable Outlets and Plates. . . . .	H-9
<b>Technical Information</b>	
Watertight Straight Blade and Locking. . . . .	H-10



### Plugs and Connectors



### Receptacles with Covers



Gotcha® is a registered trademark of Hubbell, inc.

### 15A and 20A Straight Blade Plugs, Connectors and Receptacles Inches (mm)

#### UL Type 4, 4X, 6P

**IP65, 66, 67**

SUITABILITY



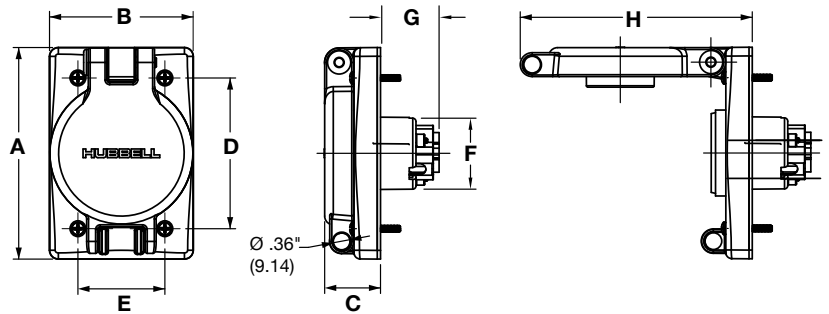
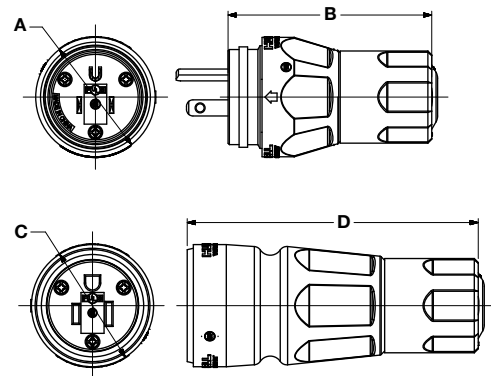
Rating	Poles/ Wires	Cord Diameter	Color	Thermoplastic Elastomer			
				Plug	Connector	Receptacle	Duplex Receptacle
NEMA 5-15, 15A 125V Plug      Connector	2-Pole 3-Wire	.325"-.625" (8.3-15.9)	Yellow Black	<b>BRY14W47</b> <b>BRY14W47BK</b>	<b>BRY15W47</b> <b>BRY15W47BK</b>	<b>BRY60W47</b> —	<b>BRY60W47D</b> —
NEMA 6-15, 15A 250V Plug      Connector	2-Pole 3-Wire	.325"-.625" (8.3-15.9)	Yellow	<b>BRY14W49</b>	<b>BRY15W49</b>	<b>BRY60W49</b>	<b>BRY60W49D</b>
NEMA 5-20, 20A 125V Plug      Connector	2-Pole 3-Wire	.325"-.625" (8.3-15.9)	Yellow	<b>BRY14W33</b>	<b>BRY15W33</b>	<b>BRY60W33</b>	<b>BRY60W33D</b>
NEMA 6-20, 20A 250V Plug      Connector	2-Pole 3-Wire	.325"-.625" (8.3-15.9)	Yellow	<b>BRY14W48</b>	<b>BRY15W48</b>	<b>BRY60W48</b>	<b>BRY60W48D</b>

Note: Black devices are available, consult factory.

### Product Dimensions Inches (mm)

15A and 20A Straight Blade	
Plugs	A 1.85" (47.07)
	B 3.16" (80.27)
Connectors	C 1.85" (47.07)
	D 4.42" (112.14)

15A and 20A Straight Blade Receptacles	
A	4.56" (115.9)
B	3.10" (78.7)
C	1.20" (30.6)
D	3.25" (82.6)
E	1.88" (47.6)
F	1.26" (32.0)
G	1.63" (41.4)
H	5.00" (127.0)





### 15A Locking Plugs, Connectors and Receptacles Inches (mm)

#### UL Type 4, 4X, 6P

**IP65, 66, 67**

SUITABILITY



Rating	Poles/ Wires	Cord Diameter	Color	Thermoplastic Elastomer			
				Plug	Connector	Receptacle	Duplex Receptacle
NEMA L5-15, 15A 125V Plug Connector	2-Pole 3-Wire	.300"-.625" (7.6-15.9)	Yellow Black	<b>BRY24W47</b> <b>BRY24W47BK</b>	<b>BRY25W47</b> <b>BRY25W47BK</b>	<b>BRY65W47</b> —	<b>BRY65W47D</b> —
NEMA L6-15, 15A 250V Plug Connector	2-Pole 3-Wire	.300"-.625" (7.6-15.9)	Yellow	<b>BRY24W49</b>	<b>BRY25W49</b>	<b>BRY65W49</b>	<b>BRY65W49D</b>
NEMA L7-15, 15A 277V AC Plug Connector	2-Pole 3-Wire	.300"-.625" (7.6-15.9)	Yellow	<b>BRY24W34</b>	<b>BRY25W34</b>	<b>BRY65W34</b>	<b>BRY65W34D</b>

Note: Black devices are available, consult factory.

### Product Dimensions Inches (mm)

		15A Locking	20A Locking	30A Locking
Plugs	A	1.85" (47.07)	2.51" (63.70)	2.77" (70.41)
	B	3.21" (81.46)	3.96" (100.69)	3.94" (99.98)
Connectors	C	1.85" (47.07)	2.51" (63.70)	2.77" (70.41)
	D	4.62" (117.22)	5.69" (144.55)	5.67" (144.00)

Note: For BRY26W09 and BRY27W09 use 20 amp locking dimensions.

#### 15A and 20A Straight Blade Receptacles

A	4.56" (115.9)
B	3.10" (78.7)
C	1.20" (30.6)
D	3.25" (82.6)
E	1.88" (47.6)
F	1.26" (32.0)
G	1.63" (41.4)

#### 15A Locking

F	1.46" (37.1)
G	1.63" (41.4)

#### 20A and 30A Locking

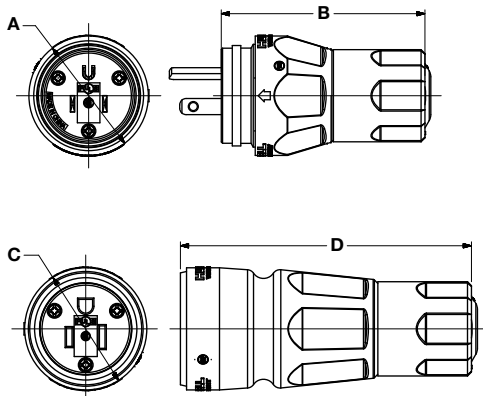
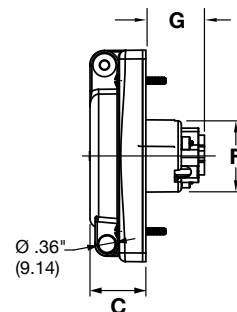
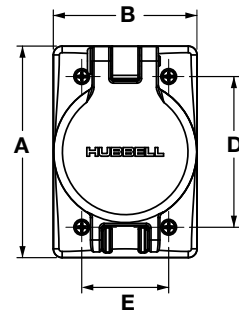
F	1.72" (43.7)
G	2.25" (57.2)

#### 20A Locking Non-NEMA

F	2.26" (57.4)
G	2.25" (57.2)

#### 30A Locking Non-NEMA

F	1.97" (50.0)
G	2.25" (57.2)



### 20A Locking Plugs, Connectors and Receptacles Inches (mm)

#### UL Type 4, 4X, 6P

**IP65, 66, 67**

SUITABILITY



















BRY26W47



BRY27W47



BRY67W48

Rating	Poles/ Wires	Cord Diameter	Color	Thermoplastic Elastomer			
				Plug	Connector	Receptacle	
NEMA L5-20, 20A 125V Plug 	Connector 	2-Pole 3-Wire	.325"-.750" (8.3-19.1)	Yellow Black	<b>BRY26W47</b> <b>BRY26W47BK</b>	<b>BRY27W47</b> <b>BRY27W47BK</b>	<b>BRY67W47</b> —
NEMA L6-20, 20A 250V Plug 	Connector 	2-Pole 3-Wire	.325"-.750" (8.3-19.1)	Yellow	<b>BRY26W48</b>	<b>BRY27W48</b>	<b>BRY67W48</b>
NEMA L7-20, 20A 277V AC Plug 	Connector 	2-Pole 3-Wire	.325"-.750" (8.3-19.1)	Yellow	<b>BRY26W49</b>	<b>BRY27W49</b>	<b>BRY67W49</b>
NEMA L14-20, 20A 125/250V AC Plug 	Connector 	3-Pole 4-Wire	.325"-.875" (8.3-22.2)	Yellow	<b>BRY26W74</b>	<b>BRY27W74</b>	<b>BRY67W74</b>
NEMA L15-20, 20A 3Ø 250V AC Plug 	Connector 	3-Pole 4-Wire	.325"-.875" (8.3-22.2)	Yellow Black	<b>BRY26W75</b> <b>BRY26W75BK</b>	<b>BRY27W75</b> <b>BRY27W75BK</b>	<b>BRY67W75</b> —
NEMA L16-20, 20A 3Ø 480V AC Plug 	Connector 	3-Pole 4-Wire	.325"-.875" (8.3-22.2)	Yellow Black	<b>BRY26W76</b> <b>BRY26W76BK</b>	<b>BRY27W76</b> <b>BRY27W76BK</b>	<b>BRY67W76</b> —
20A 125/250V, Non-NEMA Plug 	Connector 	3-Pole 3-Wire	.325"-.875" (8.3-22.2)	Yellow	<b>BRY26W08</b>	<b>BRY27W08</b>	<b>BRY67W08</b>
20A 3ØY 120/208V AC Non-NEMA Plug 	Connector 	4-Pole 4-Wire	.375"-1.125" (9.5-28.6)	Yellow	<b>BRY26W09</b>	<b>BRY27W09</b>	<b>BRY67W09</b>

Note: Black devices are available, consult factory.  
See page H-4 for product dimensions.



### 30A Locking Plugs, Connectors and Receptacles Inches (mm)

#### UL Type 4, 4X, 6P

#### IP65, 66, 67

SUITABILITY



BRY28W47



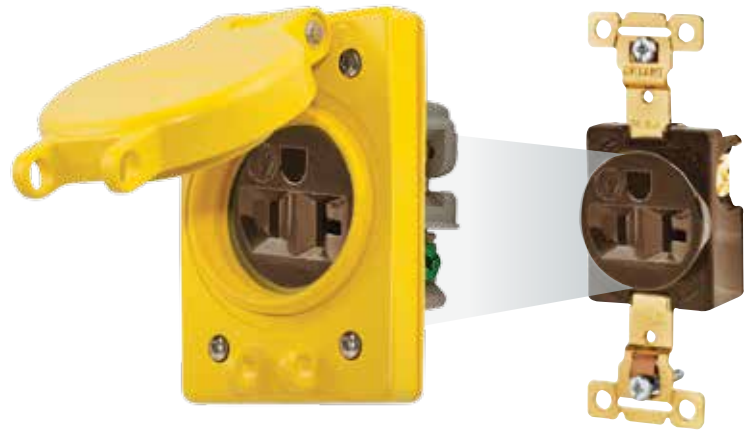
BRY29W47



BRY69W47

Rating	Poles/ Wires	Cord Diameter	Color	Thermoplastic elastomer		
				Plug	Connector	Receptacle
NEMA L5-30, 30A 125V Plug Connector	2-Pole 3-Wire	.385"-.930" (9.8-23.6)	Yellow Black	<b>BRY28W47</b> <b>BRY28W47BK</b>	<b>BRY29W47</b> <b>BRY29W47BK</b>	<b>BRY69W47</b> —
NEMA L6-30, 30A 250V Plug Connector	2-Pole 3-Wire	.385"-.930" (9.8-23.6)	Yellow	<b>BRY28W48</b>	<b>BRY29W48</b>	<b>BRY69W48</b>
NEMA L7-30, 30A 277V Plug Connector	2-Pole 3-Wire	.385"-.930" (9.8-23.6)	Yellow	<b>BRY28W49</b>	<b>BRY29W49</b>	<b>BRY69W49</b>
NEMA L14-30, 30A 125/250V Plug Connector	3-Pole 4-Wire	.385"-.930" (9.8-23.6)	Yellow	<b>BRY28W74</b>	<b>BRY29W74</b>	<b>BRY69W74</b>
NEMA L15-30, 30A 3Ø 250V AC Plug Connector	3-Pole 4-Wire	.385"-1.050" (9.8-26.7)	Yellow	<b>BRY28W75</b>	<b>BRY29W75</b>	<b>BRY69W75</b>
NEMA L16-30, 30A 3Ø 480V AC Plug Connector	3-Pole 4-Wire	.385"-1.050" (9.8-26.7)	Yellow Black	<b>BRY28W76</b> <b>BRY28W76BK</b>	<b>BRY29W76</b> <b>BRY29W76BK</b>	<b>BRY69W76</b> —
NEMA L17-30, 30A 3Ø 600V AC Plug Connector	3-Pole 3-Wire	.385"-.930" (9.8-23.6)	Yellow	<b>BRY28W77</b>	<b>BRY29W77</b>	<b>BRY69W77</b>
NEMA L18-30, 30A 3ØY 120/208V AC Plug Connector	4-Pole 4-Wire	.385"-1.050" (9.8-26.7)	Yellow	<b>BRY28W78</b>	<b>BRY29W78</b>	—
30A 125/250V, Non-NEMA Plug Connector	3-Pole 3-Wire	.385"-.930" (9.8-23.6)	Yellow	<b>BRY28W08</b>	<b>BRY29W08</b>	<b>BRY69W08</b>
30A 3ØY 120/208V AC, Non-NEMA Plug Connector	4-Pole 4-Wire	.385"-1.050" (9.8-26.7)	Yellow	<b>BRY28W09</b>	<b>BRY29W09</b>	—

Note: Black devices are available, consult factory.  
See page H-4 for product dimensions.



Watertight Lift Covers, for use with standard receptacles.

### Watertight Lift Covers



#### UL Type 4X

**IP65, 66**  
SUITABILITY



**BRY6500**

Description	Receptacle with Lift Cover
For use with 15A or 20A straight blade receptacles and 15A locking receptacles, receptacle not included	<b>BRY6500</b>
For use with 20A locking receptacles, receptacle not included	<b>BRY6700</b>
<i>Note: When mating with <b>BRY26W09</b>, 20 amp Non-NEMA plug, use BRY6800 cover.</i>	
For use with 30A locking receptacles, receptacle not included	<b>BRY6800</b>

### Replacement Interiors



**BRY28W75IN**

**BRY29W75IN**

Device	Rating	Interiors	
		Plug	Receptacle
Straight blade Locking	15A 125V	<b>BRY14W47IN</b>	<b>BRY15W47IN</b>
		<b>BRY24W47IN</b>	—
Locking	15A 125V	—	<b>BRY27W47IN</b>
	20A 3Ø 250V AC	<b>BRY26W75IN</b>	—
	20A 3Ø 480V AC	<b>BRY26W76IN</b>	<b>BRY27W76IN</b>
Locking	30A 3Ø 250V AC	<b>BRY28W75IN</b>	<b>BRY29W75IN</b>
	30A 3Ø 480V AC	<b>BRY28W76IN</b>	<b>BRY29W76IN</b>

### Bushings, Cone Seals and Closure Caps



**BRYWTB1**



**BRYWTCS2**



**BRY50W50**



**BRY50W50BK**

Device	Bushings	Cone Seals	Closure Caps	
			Yellow	Black
15A Straight blade 15A Locking	<b>BRYWTB1</b> <b>BRYWTB1</b>	<b>BRYWTCS1</b> <b>BRYWTCS1</b>	<b>BRY50W50</b> <b>BRY50W50</b>	<b>BRY50W50BK</b> <b>BRY50W50BK</b>
20A Straight blade 20A Locking	<b>BRYWTB1</b> <b>BRYWTB2</b>	<b>BRYWTCS1</b> <b>BRYWTCS2</b>	<b>BRY50W50</b> <b>BRY50W52</b>	<b>BRY50W50BK</b> <b>BRY50W52BK</b>
30A Locking	<b>BRYWTB3</b>	<b>BRYWTCS3</b>	<b>BRY50W54</b>	<b>BRY50W54BK</b>



## FD Boxes and Angled Adapters

Introducing a fully UL Listed surface mount box engineered with features that allow easy, code compliant installation of all types of devices from 15A to 50A, including metallic ground bonding bracket, threaded conduit hubs and external mounting supports. Together with an industry first 55 degree angle adapter, the combination of devices is the only code compliant 45 cu.in. solution for 50A 4 wire installations. The angle adapter can also be installed separately for panel applications.



- 3/4 in. NPT and 1 in. NPT threaded hub options
- 30 cu. in. FD box made of high impact thermoplastic material
- External mounting feet, accepts #10 screw
- Stainless steel mounting/grounding bracket
- Accepts duplex and single receptacles up to 50A locking



- 55° angle adapter (15 cu. in.)
- External mounting feet, accepts #8 screw
- Stainless steel mounting/grounding bracket
- Accepts duplex and single receptacles up to 50A locking



## FD Boxes and Angled Adapters

### UL Type 4X

**IP65, 66**  
SUITABILITY



**BRY60CM83A**



**BRY60CM55**



**BRY60CM84WAK**



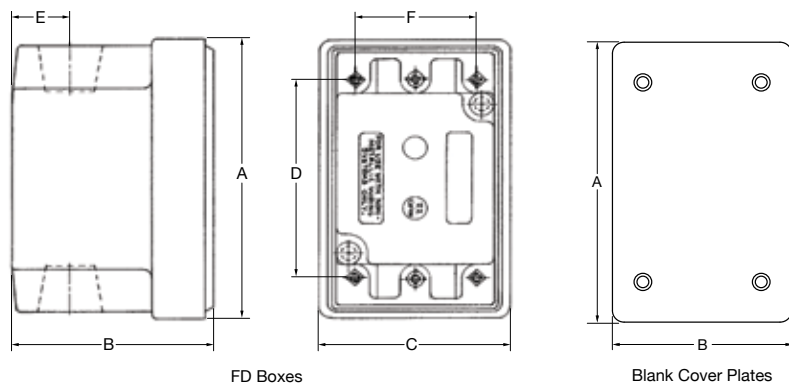
**BRY60CM88**

Color	FD Boxes		55° Angle Adapter*	Kits		Blank Cover Plates
	3/4" NPT Hubs	1" NPT Hubs		3/4" NPT Hubs	1" NPT Hubs	
Yellow	<b>BRY60CM83A</b>	<b>BRY60CM84A</b>	<b>BRY60CM55*</b>	<b>BRY60CM83AK</b>	<b>BRY60CM84AK</b>	<b>BRY60CM88</b>
White	<b>BRY60CM83WA</b>	<b>BRY60CM84WA</b>	<b>BRY60CM55W*</b>	<b>BRY60CM83WAK</b>	<b>BRY60CM84WAK</b>	<b>BRY60CM88W</b>
Gray	<b>BRY6083</b>	<b>BRY6084</b>	<b>BRY6055*</b>	<b>BRY6083AK</b>	<b>BRY6084AK</b>	<b>BRYP14FS</b>

Note: For NEMA 4X rating, use equally listed receptacle/lift cover combination.  
\*Angled Adapter not UL listed.

## Product Dimensions Inches (mm)

	Portable Outlet Boxes	Blank Cover Plates
A	4.56" (115.9)	4.56" (115.8)
B	3.25" (82.6)	2.84" (72.1)
C	2.94" (74.6)	—
D	3.28" (83.3)	—
E	0.875" (22.2)	—
F	1.87" (47.6)	—







- Wiring room large enough to accommodate the broadest range of device requirements in one box size
- Cord entry options include pre-defined range of 0.38 in. to 0.50 in.
- Fully thermoplastic elastomer housing exceeds UL crush requirements and is highly impact-resistant, available in black or yellow
- Brass inserts for maximum strength
- Extended wall protects lift covers from impact damage



- Impact-resistant PBT material
- UL Type 3R seal on a panel or on a portable outlet box
- Stainless steel hinge and spring

### Pre-Assembled Portable Outlet Boxes (with Cord Connector Installed) Inches (mm)

**Box Suitable for Wet and Damp Locations**

**IP44**  
SUITABILITY



BRY3099



BRY3090F



BRY3000

Description	Cord Range	Color	Deep	Deep with Feed-Thru	Deep with (2) Duplex Cover Plates
Portable outlet boxes	0.38"-0.50" (9.7-12.7)	Yellow	<b>BRY3099</b>	<b>BRY3090F</b>	<b>BRY3000</b>

Note: For use with NEMA Type 1 and Type 3R portable outlet box covers listed below.

### Portable Outlet Box Cover Plates (NEMA Type 1) and Lift Covers (Type 3R)

**UL Type 1, 3R**

**IP65, 66**  
SUITABILITY



BRY3051



BRY3056



BRY3052



BRY3057



BRY3055



BRY3058



BRY3060



BRY3061

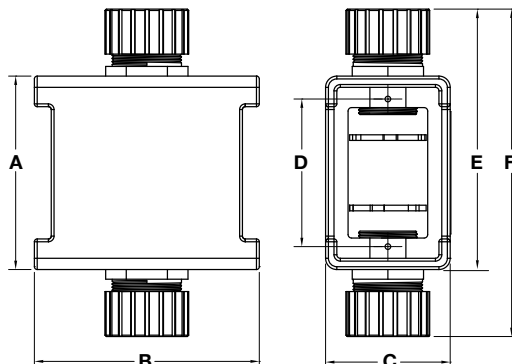


BRY3054

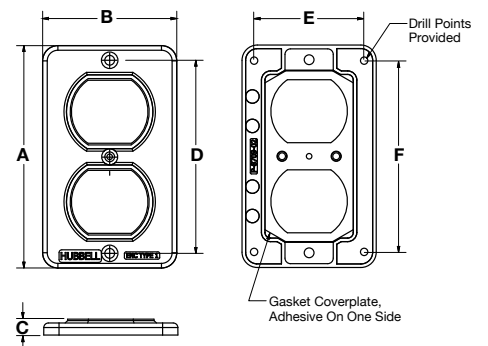
Description	Duplex		1.39" Diameter Receptacle		1.572" Diameter Receptacle		GFCI		Blank
	Box Cover UL Type 1	Lift Cover UL Type 3R	Box Cover UL Type 1	Lift Cover UL Type 3R	Box Cover UL Type 1	Lift Cover UL Type 3R	Box Cover UL Type 1	Lift Cover UL Type 3R	Lift Cover UL Type 3R
Portable outlet box cover plates	<b>BRY3051</b>	<b>BRY3056</b>	<b>BRY3052</b>	<b>BRY3057</b>	<b>BRY3055</b>	<b>BRY3058</b>	<b>BRY3060</b>	<b>BRY3061</b>	<b>BRY3054</b>

### Product Dimensions Inches (mm)

Portable Outlet Boxes	
A	4.30" (109.2)
B	5.00" (127.0)
C	2.77" (70.4)
D	3.28" (83.3)
E	5.79" (147.0)
F	7.28" (184.9)
Box Covers	
A	3.78" (96.0)
B	2.28" (57.9)
C	0.27" (6.9)
D	3.28" (83.3)
E	1.87" (47.5)
F	3.25" (82.6)



Style shown is representative of all openings.





### Materials

Plug/Connector	Materials
Blade/contact carrier	Nylon, white
Terminal retainer	Polycarbonate, clear
Housing	Thermoplastic elastomer
Housing insert	Nylon, white
Strain relief nut	PBT thermoplastic, gray
Blades/contacts	Brass, nickel plated
Terminal screws	Brass
Terminal screw size	#8-32 15A/20A Straight blade and 15A Locking, #10-32 20A and 30A Locking
Assembly screws	Stainless steel
Bushings	Thermoplastic elastomer, black
Gotcha ring	Nylon
Cone seal	Thermoplastic elastomer, black
Closure cap	Thermoplastic elastomer
Receptacle Assembly	Materials
Base, flip lid and backplate	PBT thermoplastic
Seal collar	Thermoplastic elastomer
Mounting screws	Stainless steel
Spring and hinge pin	Stainless steel
Portable Outlet Box & Accessories	Materials
Box enclosure	Thermoplastic elastomer
Strain relief nut	PBT thermoplastic
Grommet	Thermoplastic elastomer
Gotcha ring	Nylon
Locknut	Steel, zinc plate
Threaded inserts	Brass
Receptacle screw	Stainless steel
Cover plate	PBT thermoplastic
Cover plate seal	Neoprene
Cover plate spring	Stainless steel
Hinge pin	Stainless steel
Hinge bracket	Zinc plated steel
Rivets	Zinc plated steel

### Specifications

Listings (Plug/Connector and Flip Lid Assembly)	
Listed to UL498	
Certified to CSA C22.2 No. 42	
Meets NEMA® WD-1, WD-6, and ANSI Standards	
IP66 Suitability	
NSF Certified (plugs, connectors and receptacles)	
FD Box/Adapter	Materials
Box enclosure	PBT thermoplastic
Ground bracket	316 stainless steel
Ground screw	Brass
Angle adapter	PBT thermoplastic
Environmental	
Box	UL Type 4X (with UL Type 4X receptacle assembly) UL Type 3R (with weatherproof cover plate)

### Performance Inches (mm)

Electrical	
Dielectric voltage	Connectors: 2000V AC if rated 300V or less, 3000V AC if rated above 300V Plugs: 2500V AC if rated 300V or less, 3500V AC if rated above 300V
Max working voltage	As marked
Current interrupting	Rated for current interruption per UL498
Temperature rise	30°C max per UL498 at rated current
Mechanical	
Cord and terminal accommodations:	
Plugs and Connectors	
15 and 20A Straight blade and 15A Locking	#16/3 SJ to #10/3 SJ, #18/3 S to #12/3 S (Ø.325" to Ø625") (Ø8.3mm to Ø15.9 mm)
20A Locking except BRY26W09 & BRY27W09	Min. cord: #16/3 SJ, #18/3 S, #18/4 SJ, #18/4 S, #18/5 S (Ø.325") (Ø8.3 mm) Max. cord: #10/3 S, #10/4 S, #10/5 S (.875") (22.2 mm)
30A Locking including BRY26W09 & BRY27W09	Min. cords: #12/3 SJ, #16/3 S, #14/4 SJ, #18/4 S, #18/5 S (Ø.375") (Ø9.5 mm) Max. cord: #8/3 S, #8/4 S, #10/5 S (1.125") (28.6 mm)
Receptacles – use solid or stranded building wire or flexible cord only as outlined below:	
All Straight blade	#18 AWG to #10 AWG
15A Locking	#18 AWG to #10 AWG
20A and 30A Locking	#18 AWG to #8 AWG
Portable Outlet Boxes	
Cord range	.38" to .68" (BRY3099, BRY3090F, BRY3000) and .38" to 1.00" with user-specified cord connector
Wiring volume	19.0 in <sup>3</sup>
Environmental	
Moisture resistance	UL Listed to 3R, 3RX, 4, 4X, 6, 6P, 12 (plugs and connectors), 3R, 3RX, 4, 4X (receptacles), wet and damp locations (portable outlet boxes), covers (POB) UL Type 3R and wet locations cover closed
Flammability	UL94V0 (boxes, covers, and plates), UL94V2 (plugs, connectors, and interiors), UL94HB (caps, bushings, and cone seals)
Operating temperatures	-40°C (without impact) to +60°C continuous
UV resistance	All exposed materials are UV stabilized

NEMA® is a registered trademark of the National Electrical Manufacturers Association.