



Table of Contents	Page
<b>Industrial Grade Switches</b>	
Extra Heavy Duty Standard, Illuminated and Pilot Toggle Switches . . . . .	D-2
Extra Heavy Duty Locking Switches . . . . .	D-3
Maintained and Momentary Contact Switches . . . . .	D-3
Push Button Switches and Weatherproof Cover . . . . .	D-4
<b>Specification Grade Switches</b>	
Heavy Duty Toggle Switches . . . . .	D-4
<b>Commercial Grade Switches</b>	
Toggle and Decorator Rocker Switches . . . . .	D-5
<b>Residential Grade Switches</b>	
Standard, Illuminated and Pilot Toggle and Decorator Rocker Switches . . . . .	D-6
Combination Switches in Toggle and Decorator Rocker Series . . . . .	D-7
USB Switch Combo Outlet . . . . .	D-7
Combination Pilot Light in Toggle and Decorator Rocker Series . . . . .	D-8
<b>Accessories</b>	
Pilot Lights and Accessories . . . . .	D-8
Door Switches . . . . .	D-9
In-Line Cord Switches . . . . .	D-9
<b>Technical Specifications</b> . . . . .	
<b>Wiring Diagrams</b> . . . . .	
<b>Motor Controllers and Disconnects (See Section F for Product Details)</b>	
Quick Reference Guide . . . . .	D-12



# Switches

## Extra Heavy Duty Industrial Specification Grade Toggle Switches



- High-impact and chemical resistant nylon toggle
- Corrosion-resistant brass and nickel-plated yoke
- Dual-grounding options, grounding terminal or stainless steel self-grounding clip
- Back wiring, each clamp-type terminal accepts two wires, avoiding the need to pigtail

### Extra Heavy Duty Industrial Specification Grade Toggle Switches, Back and Side Wired



4801I



4802



4903GRY



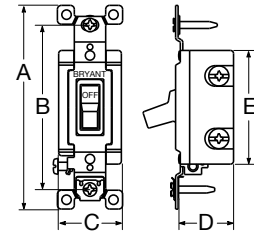
4904W

Amp	Color	Single Pole	Double Pole	3-Way	4-Way
15A 120-277V AC	Black	<b>4801BLK</b>	<b>4802BLK</b>	<b>4803BLK</b>	<b>4804BLK</b>
	Brown	<b>4801</b>	<b>4802</b>	<b>4803</b>	<b>4804</b>
	Gray	<b>4801GRY</b>	<b>4802GRY</b>	<b>4803GRY</b>	<b>4804GRY</b>
	Ivory	<b>4801I</b>	<b>4802I</b>	<b>4803I</b>	<b>4804I</b>
	Red	<b>4801RED</b>	<b>4802RED</b>	<b>4803RED</b>	<b>4804RED</b>
	White	<b>4801W</b>	<b>4802W</b>	<b>4803W</b>	<b>4804W</b>
20A 120-277V AC	Black	<b>4901BLK</b>	<b>4902BLK</b>	<b>4903BLK</b>	<b>4904BLK</b>
	Brown	<b>4901</b>	<b>4902</b>	<b>4903</b>	<b>4904</b>
	Gray	<b>4901GRY</b>	<b>4902GRY</b>	<b>4903GRY</b>	<b>4904GRY</b>
	Ivory	<b>4901I</b>	<b>4902I</b>	<b>4903I</b>	<b>4904I</b>
	Red	<b>4901RED</b>	<b>4902RED</b>	<b>4903RED</b>	<b>4904RED</b>
	White	<b>4901W</b>	<b>4902W</b>	<b>4903W</b>	<b>4904W</b>
30A 120-277V AC	Black	—	—	—	—
	Brown	<b>3001</b>	<b>3002BRN</b>	<b>3003BRN</b>	—
	Gray	—	<b>3002GRY</b>	<b>3003GRY</b>	—
	Ivory	<b>3001I</b>	<b>3002I</b>	<b>3003I</b>	—
	Red	—	—	—	—
	White	—	—	—	—

### Product Dimensions

Inches (mm)

A	4.06" (103.1)
B	3.28" (83.3)
C	1.30" (33.0)
D	1.11" (28.2)
E	2.27" (57.7)



### Illuminated and Pilot Toggle Switches, Back and Side Wired



4801GLI



4903GLI



4901PLC120



4902PLR120



4903PLG120

Illuminated Toggle Switch Illuminates when Switch is OFF				Pilot Toggle Switch Illuminates when Switch is ON				
Amp	Color	Single Pole	3-Way	Amp	Color	Single Pole	Double Pole	3-Way
15A 120-277V AC	Ivory	<b>4801GLI</b>	<b>4803GLI</b>	20A	Clear	<b>4901PLC120</b>	—	<b>4903PLC120</b>
				120V AC	Green	<b>4901PLG120</b>	—	—
					Red	<b>4901PLR120</b>	<b>4902PLR120</b>	<b>4903PLR120</b>
20A 120-277V AC	Clear Ivory	<b>4901GLC</b> <b>4901GLI</b>	<b>4903GLC</b> <b>4903GLI</b>	20A	Clear	<b>4901PLC277</b>	—	—
				277V AC	Red	<b>4901PLR277</b>	<b>4902PLR277</b>	<b>4903PLR277</b>
				30A	Red	<b>3001PLR120</b>	<b>3002PLR120</b>	—
				120V AC				
30A	Red	—	<b>3002PLR277</b>	—				
277V AC								

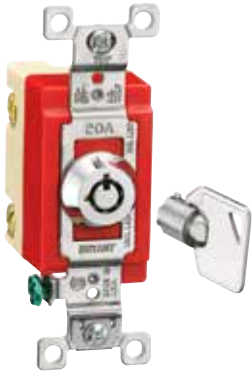
### Horsepower Ratings

Rating	15A	20A	30A
120V	½ HP	1 HP	2 HP
240V	2 HP	2 HP	2 HP
277 VAC	2 HP	2 HP	2 HP

# Switches



## Extra Heavy Duty Industrial Specification Grade Locking Switches



- Tapered head steel lock construction resists impact
- Six point tumbler cylinder provides superior protection
- Barrel locking key for maximum security
- Locks keyed alike for planned security use by authorized personnel

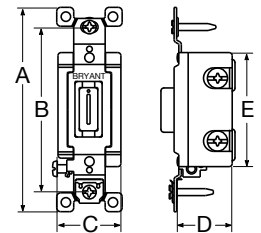
### Extra Heavy Duty Industrial Specification Grade Locking Switches, Back and Side Wired



Description	Amp	Switch Configuration				Replacement Key	Catalog Number
		Single Pole	Double Pole	3-Way	4-Way		
Locking switch, straight key included	15A 120-277V AC	<b>4801L</b>	<b>4802L</b>	<b>4803L</b>	<b>4804L</b>	Straight-key, one key provided with each straight locking switch	<b>6006</b>
	20A 120-277V AC	<b>4901L</b>	<b>4902L</b>	<b>4903L</b>	<b>4904L</b>		
Barrel locking switch, barrel key included	20A 120-277V AC	<b>4901RKL</b>	<b>4902RKL</b>	<b>4903RKL</b>	<b>4904RKL</b>	Barrel-key, two keys provided with each barrel-key locking switch	<b>6006RKL</b>

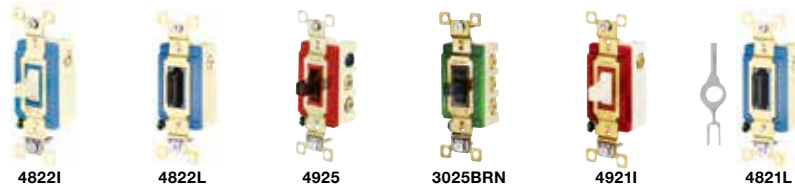
### Product Dimensions

	Locking	Barrel Lock
A	4.06" (103.1)	4.06" (103.1)
B	3.28" (83.3)	3.28" (83.3)
C	1.31" (33.3)	1.25" (31.8)
D	1.13" (28.6)	1.66" (42.2)
E	2.28" (57.9)	2.28" (57.9)



## Industrial Grade, Maintained and Momentary Contact Switches

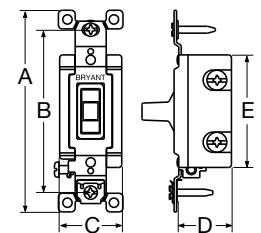
### Three-Position Two-Circuit Maintained and Momentary Contact Switches, "Center OFF"



Amp	Color	Maintained Contact				Momentary Contact	
		Single Pole, Double-Throw		Double Pole, Double-Throw		Single Pole, Three-Position	
		Nylon Toggle	Locking	Nylon Toggle	Locking	Nylon Toggle	Locking
15A 120-277V AC	Black	—	<b>4822L</b>	—	—	—	<b>4821L</b>
	Brown	<b>4822</b>	—	<b>4825</b>	—	<b>4821</b>	—
	Gray	—	—	—	—	<b>4821GRY</b>	—
	Ivory	<b>4822I</b>	—	<b>4825I</b>	—	<b>4821I</b>	—
	White	—	—	—	—	—	—
20A 120-277V AC	Black	—	—	—	<b>4925L</b>	—	<b>4921L</b>
	Brown	<b>4922</b>	—	<b>4925</b>	—	<b>4921</b>	—
	Gray	<b>4922GRY</b>	—	—	—	<b>4921GRY</b>	—
	Ivory	<b>4922I</b>	—	<b>4925I</b>	—	<b>4921I</b>	—
	White	<b>4922W</b>	—	<b>4925W</b>	—	—	—
30A 120-277V AC	Brown	—	—	<b>3025BRN</b>	—	<i>Note: See above for replacement key 6006 information.</i>	
	Ivory	—	—	<b>3025I</b>	—		

### Product Dimensions

	Inches (mm)
A	4.06" (103.1)
B	3.28" (83.3)
C	1.30" (33.0)
D	1.11" (28.2)
E	2.27" (57.7)



# Switches

## Push Button Switches



### Push Button Switches



4981



4998PLR

Description	Color	Push Button Switch			
		Single Pole	Double Pole	3-Way	4-Way
Standard, 20A 120-277V AC	Brown	<b>4981</b>	<b>4982</b>	<b>4983*</b>	<b>4984*</b>
Pilot light, pilot illuminates when switch is ON, 20A 120V AC	Red	<b>4997PLR</b>	—	<b>4998PLR*</b>	—

Note: \*Pilot Light is not UL Listed or CSA Certified.

### Weatherproof Cover



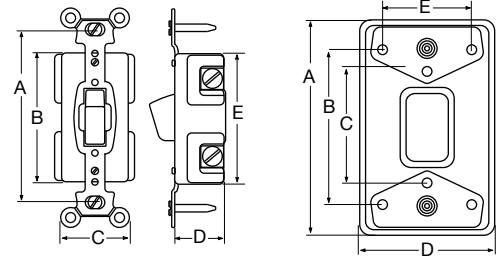
1795WP

Description	Catalog Number
1-Gang, clear silicone rubber cover, fits both FS/FD and standard boxes	<b>1795WP</b>

Note: Weatherproof cover is not CSA Certified.

### Product Dimensions Inches (mm)

	Push Button Switch	Weatherproof Cover
A	3.28" (83.3)	4.63" (117.6)
B	2.38" (60.5)	3.25" (82.6)
C	1.50" (38.1)	2.38" (60.5)
D	0.97" (24.6)	2.94" (74.7)
E	2.44" (62.0)	1.88" (47.8)



## Heavy Duty Specification Grade Toggle Switches

### Heavy Duty Specification Grade Self-Grounding Toggle Switches, Back and Side Wired



4801BI



4901BBLK



4803BGRY



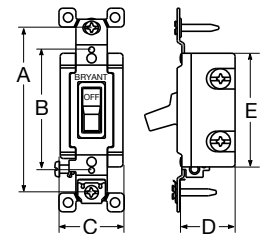
4904B

Amp	Color	Single Pole	Double Pole	3-Way	4-Way
15A 120-277V AC	Black	<b>4801BBLK</b>	—	<b>4803BBLK</b>	—
	Brown	<b>4801B</b>	—	<b>4803B</b>	—
	Gray	<b>4801BGRY</b>	—	<b>4803BGRY</b>	—
	Ivory	<b>4801BI</b>	—	<b>4803BI</b>	—
	Light Almond	<b>4801BLA</b>	—	<b>4803BLA</b>	—
	Red	<b>4801BRED</b>	—	<b>4803BRED</b>	—
	White	<b>4801BW</b>	—	<b>4803BW</b>	—
20A 120-277V AC	Black	<b>4901BBLK</b>	<b>4902BBLK</b>	<b>4903BBLK</b>	<b>4904BBLK</b>
	Brown	<b>4901B</b>	<b>4902B</b>	<b>4903B</b>	<b>4904B</b>
	Gray	<b>4901BGRY</b>	<b>4902BGRY</b>	<b>4903BGRY</b>	<b>4904BGRY</b>
	Ivory	<b>4901BI</b>	<b>4902BI</b>	<b>4903BI</b>	<b>4904BI</b>
	Light Almond	<b>4901BLA</b>	<b>4902BLA</b>	<b>4903BLA</b>	<b>4904BLA</b>
	Red	<b>4901BRED</b>	<b>4902BRED</b>	<b>4903BRED</b>	<b>4904BRED</b>
	White	<b>4901BW</b>	<b>4902BW</b>	<b>4903BW</b>	<b>4904BW</b>

### Product Dimensions

Inches (mm)

A	3.28" (83.3)
B	2.33" (59.1)
C	1.25" (31.8)
D	1.13" (28.7)
E	2.28" (57.9)



# Switches



## Commercial Grade Toggle and Decorator Rocker Switches

### Commercial Grade Self-Grounding Toggle Switches



Amp	Wiring Color	Back and Side Wired				Side Wired Only	
		Single Pole	Double Pole	3-Way	4-Way	Single Pole	3-Way
15A 120-277V AC	Black	<b>CSB115BBLK</b>	<b>CSB215BBLK</b>	<b>CSB315BBLK</b>	<b>CSB415BBLK</b>	<b>CS115BLK</b>	<b>CS315BLK</b>
	Brown	<b>CSB115B</b>	<b>CSB215B</b>	<b>CSB315B</b>	<b>CSB415B</b>	<b>CS115B</b>	<b>CS315B</b>
	Gray	<b>CSB115BGRY</b>	<b>CSB215BGRY</b>	<b>CSB315BGRY</b>	<b>CSB415BGRY</b>	<b>CS115BGRY</b>	<b>CS315BGRY</b>
	Ivory	<b>CSB115BI</b>	<b>CSB215BI</b>	<b>CSB315BI</b>	<b>CSB415BI</b>	<b>CS115BI</b>	<b>CS315BI</b>
	Light Almond	<b>CSB115BLA</b>	<b>CSB215BLA</b>	<b>CSB315BLA</b>	<b>CSB415BLA</b>	<b>CS115BLA</b>	<b>CS315BLA</b>
	White	<b>CSB115BW</b>	<b>CSB215BW</b>	<b>CSB315BW</b>	<b>CSB415BW</b>	<b>CS115BW</b>	<b>CS315BW</b>
20A 120-277V AC	Black	<b>CSB120BBLK</b>	<b>CSB220BBLK</b>	<b>CSB320BBLK</b>	<b>CSB420BBLK</b>	<b>CS120BLK</b>	<b>CS320BLK</b>
	Brown	<b>CSB120B</b>	<b>CSB220B</b>	<b>CSB320B</b>	<b>CSB420B</b>	<b>CS120B</b>	<b>CS320B</b>
	Gray	<b>CSB120BGRY</b>	<b>CSB220BGRY</b>	<b>CSB320BGRY</b>	<b>CSB420BGRY</b>	<b>CS120BGRY</b>	<b>CS320BGRY</b>
	Ivory	<b>CSB120BI</b>	<b>CSB220BI</b>	<b>CSB320BI</b>	<b>CSB420BI</b>	<b>CS120BI</b>	<b>CS320BI</b>
	Light Almond	<b>CSB120BLA</b>	<b>CSB220BLA</b>	<b>CSB320BLA</b>	<b>CSB420BLA</b>	<b>CS120BLA</b>	<b>CS320BLA</b>
	Red	<b>CSB120BRED</b>	<b>CSB220BRED</b>	<b>CSB320BRED</b>	<b>CSB420BRED</b>	—	—
	White	<b>CSB120BW</b>	<b>CSB220BW</b>	<b>CSB320BW</b>	<b>CSB420BW</b>	<b>CS120BW</b>	<b>CS320BW</b>

### Commercial Grade Self-Grounding Decorator Rocker Switches, Back and Side Wired



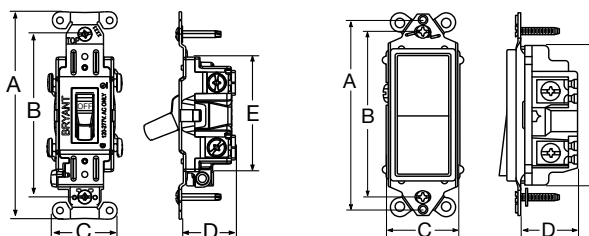
Amp	Color	Standard Decorator Rocker				Illuminated Rocker Illuminates when switch is OFF		Pilot Light Rocker Illuminates when switch is ON	Rocker with Nightlight
		Single Pole	Double Pole	3-Way	4-Way	Single Pole	3-Way	Single Pole	Single Pole
15A 120-277V AC	Black	—	—	—	—	—	—	—	—
	Brown	<b>9801</b>	—	<b>9803</b>	—	—	—	—	—
	Gray	<b>9801GRY</b>	—	<b>9803GRY</b>	—	—	—	—	—
	Ivory	<b>9801I</b>	—	<b>9803I</b>	—	—	—	—	—
	White	<b>9801W</b>	—	<b>9803W</b>	—	—	—	—	—
20A 120-277V AC	Black	<b>9901BLK</b>	<b>9902BLK</b>	<b>9903BLK</b>	<b>9904BLK</b>	—	—	—	—
	Brown	<b>9901</b>	—	<b>9903</b>	<b>9904</b>	—	—	—	—
	Gray	<b>9901GRY</b>	<b>9902GRY</b>	<b>9903GRY</b>	<b>9904GRY</b>	—	—	—	—
	Ivory	<b>9901I</b>	<b>9902I</b>	<b>9903I</b>	<b>9904I</b>	<b>9901GLI*</b>	<b>9903GLI*</b>	<b>9901PLI120</b>	<b>9901NLI**</b>
	Lt. Almond	—	—	—	—	—	—	—	<b>9901NLLA**</b>
	White	<b>9901W</b>	<b>9902W</b>	<b>9903W</b>	<b>9904W</b>	<b>9901GLW*</b>	<b>9903GLW*</b>	<b>9901PLW120</b>	<b>9901NLW**</b>

Note: \*Light glows through the top portion of the rocker when switch is in the OFF position. Does not require a neutral wire.

\*\*Nightlight projects through the top portion of the rocker when switch is in the OFF position. Requires a neutral wire.

### Product Dimensions Inches (mm)

	Toggle	Decorator
A	4.18" (106.2)	3.81" (96.8)
B	3.28" (83.3)	3.28" (83.3)
C	1.30" (33.0)	1.48" (37.6)
D	1.08" (27.4)	1.13" (28.7)
E	2.31" (58.7)	2.78" (70.6)



Toggle

Decorator

# Switches



## Residential Grade Toggle and Decorator Switches



- Elongated strap with continuous plaster ears positions device flush to the wall surface
- Tough thermoplastic ultrasonically welded cover and base
- High-visibility yellow base for easy installation in low light working conditions
- Quiet snap action mechanism
- UL Listed and CSA Certified

## Residential Grade Toggle and Decorator Rocker Switches, 15A 120V AC



RS115W



RS315W



RS415LA



RSD115W



RSD415I

Wiring	Toggle Switch					Decorator Switch			
	Push and Side Wired				Side Wire	Push, Back and Side Wired			
Type	Single Pole		3-Way		4-Way	Single Pole	Double Pole	3-Way	4-Way
Color	Grounding	Self-Grounding	Grounding	Self-Grounding	Self-Grounding	Self-Grounding	Self-Grounding	Self-Grounding	Self-Grounding
Black	<b>RS115BK</b>	—	<b>RS315BK</b>	—	—	<b>RSD115BK</b>	<b>RSD215BK</b>	<b>RSD315BK</b>	<b>RSD415BK</b>
Brown	<b>RS115</b>	<b>RS115S</b>	<b>RS315</b>	<b>RS315S</b>	<b>RS415</b>	<b>RSD115</b>	<b>RSD215</b>	<b>RSD315</b>	<b>RSD415</b>
Gray	—	—	—	—	—	<b>RSD115GY</b>	<b>RSD215GY</b>	<b>RSD315GY</b>	<b>RSD415GY</b>
Ivory	<b>RS115I</b>	<b>RS115SI</b>	<b>RS315I</b>	<b>RS315SI</b>	<b>RS415I</b>	<b>RSD115I</b>	<b>RSD215I</b>	<b>RSD315I</b>	<b>RSD415I</b>
Lt. Almond	<b>RS115LA</b>	<b>RS115SLA</b>	<b>RS315LA</b>	<b>RS315SLA</b>	<b>RS415LA</b>	<b>RSD115LA</b>	<b>RSD215LA</b>	<b>RSD315LA</b>	<b>RSD415LA</b>
White	<b>RS115W</b>	<b>RS115SW</b>	<b>RS315W</b>	<b>RS315SW</b>	<b>RS415W</b>	<b>RSD115W</b>	<b>RSD215W</b>	<b>RSD315W</b>	<b>RSD415W</b>

## Residential Grade Illuminated Toggle and Illuminated and Pilot Decorator Rocker Switches, 15A 120V AC



RS115ILC



RS315ILI



RSD115ILW



RSD315ILI



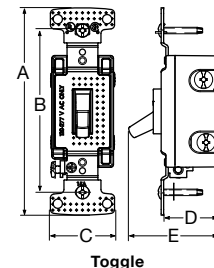
RSD115PLW

Wiring	Illuminated Toggle Switch, Frame is Clear and Illuminates, Toggle is Colored, Does Not Require a Neutral Wire		Illuminated Decorator, Illuminates when Switch is OFF, Does Not Require a Neutral Wire		Pilot Light Decorator, Illuminates when Switch is ON, Requires a Neutral Wire
	Push and Side Wired		Push, Back and Side Wired		Push, Back and Side Wired
	Self-Grounding		Self-Grounding		Self-Grounding
Color	Single Pole	3-Way	Single Pole	3-Way	Single Pole
Clear	<b>RS115ILC</b>	<b>RS315ILC</b>	—	—	—
Ivory	<b>RS115ILI</b>	<b>RS315ILI</b>	<b>RSD115ILI</b>	<b>RSD315ILI</b>	<b>RSD115PLI</b>
Lt. Almond	<b>RS115ILLA</b>	<b>RS315ILLA</b>	<b>RSD115ILLA</b>	<b>RSD315ILLA</b>	<b>RSD115PLLA</b>
White	<b>RS115ILW</b>	<b>RS315ILW</b>	<b>RSD115ILW</b>	<b>RSD315ILW</b>	<b>RSD115PLW</b>

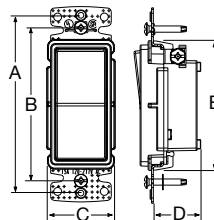
## Product Dimensions

Inches (mm)

	Toggle	Decorator
A	4.19" (106.5)	3.81" (96.8)
B	3.28" (83.3)	3.28" (83.3)
C	1.30" (33.0)	1.47" (37.3)
D	1.08" (27.4)	1.16" (29.6)
E	2.31" (58.7)	1.88" (47.7)



Toggle



Decorator

# Switches

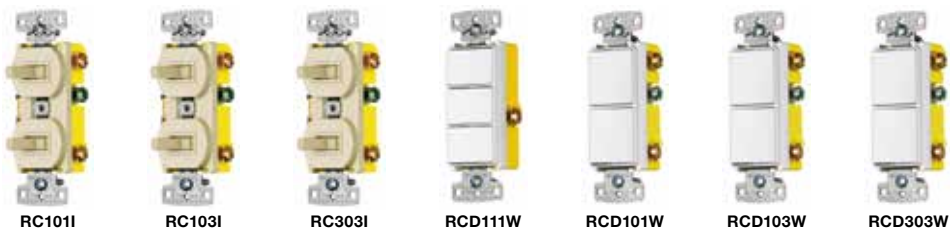


## Residential Grade Combination Devices



- Combination devices provide compact switches in a single gang opening
- Self-grounding tab is standard
- High-visibility yellow base for easy installation in low light working conditions
- Low profile, less than 1 inch allows for maximum wiring room in the box
- Elongated strap with continuous plaster ears positions device flush to the wall surface
- UL Listed and CSA Certified

### Residential Grade Combination Switches, Side Wired Only

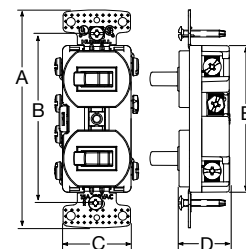


Wiring	Toggle Switch				Decorator Switch			
	Side Wired Only				Side Wired Only			
Rating	15A 120V AC				15A 120-277V AC			
Color	(2) Single Pole	(1) Single Pole (1) 3-Way	(2) 3-Way	(3) Single Pole	(2) Single Pole	(1) Single Pole (1) 3-Way	(2) 3-Way	
Black	—	—	—	—	<b>RCD101BK</b>	<b>RCD103BK</b>	<b>RCD303BK</b>	
Brown	<b>RC101</b>	<b>RC103</b>	<b>RC303</b>	—	—	—	—	
Gray	—	—	—	—	<b>RCD101GY</b>	<b>RCD103GY</b>	—	
Ivory	<b>RC101I</b>	<b>RC103I</b>	<b>RC303I</b>	<b>RCD111I</b>	<b>RCD101I</b>	<b>RCD103I</b>	<b>RCD303I</b>	
Lt. Almond	<b>RC101LA</b>	<b>RC103LA</b>	<b>RC303LA</b>	<b>RCD111LA</b>	<b>RCD101LA</b>	<b>RCD103LA</b>	<b>RCD303LA</b>	
White	<b>RC101W</b>	<b>RC103W</b>	<b>RC303W</b>	<b>RCD111W</b>	<b>RCD101W</b>	<b>RCD103W</b>	<b>RCD303W</b>	

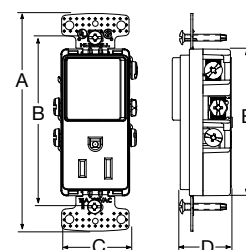
### Product Dimensions

	Toggle	Decorator
A	4.20" (106.7)	4.20" (106.7)
B	3.27" (83.0)	3.27" (83.0)
C	1.32" (33.6)	1.32" (33.6)
D	0.97" (24.6)	0.97" (24.6)
E	2.82" (71.7)	2.82" (71.7)

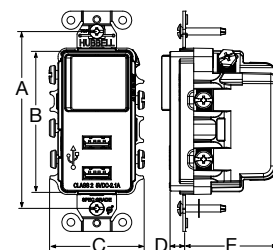
	USB Combo
A	3.28" (83.3)
B	2.62" (66.5)
C	1.75" (44.5)
D	0.29" (7.4)
E	1.72" (43.7)



Toggle



Decorator



USB Combo

### Residential Grade Combination Switch with Receptacle, GFCI and USB



		Toggle Switch with Receptacle		Decorator Switch with Receptacle		Switch with GFCI	USB Switch Combo Outlet
		(1) Single Pole (1) Receptacle	(1) 3-Way (1) Receptacle	(1) Single Pole (1) Receptacle	(1) 3-Way (1) Receptacle	(1) Single Pole (1) GFCI	(1) Single Pole (2) USB Ports
Rating		15A 120V AC/15A 125V		15A 120V AC/15A 125V		15A 120V AC/ 15A 125V	15A 120V AC/ 3A 5V DC
Standard	Black	—	—	<b>RCD108BK</b>	<b>RCD308BK</b>	—	<b>USBB102BK</b>
	Brown	<b>RC108</b>	<b>RC308</b>	—	—	—	<b>USBB102</b>
	Gray	—	—	<b>RCD108GY</b>	—	—	<b>USBB102GY</b>
	Ivory	<b>RC108I</b>	<b>RC308I</b>	<b>RCD108I</b>	<b>RCD308I</b>	—	<b>USBB102I</b>
	Lt. Almond	<b>RC108LA</b>	—	<b>RCD108LA</b>	<b>RCD308LA</b>	—	<b>USBB102LA</b>
	White	<b>RC108W</b>	<b>RC308W</b>	<b>RCD108W</b>	<b>RCD308W</b>	—	<b>USBB102W</b>
Tamper-Resistant	Black	—	—	<b>RCD108BKTR</b>	<b>RCD308BKTR</b>	—	—
	Brown	<b>RC108TR</b>	<b>RC308TR</b>	—	—	—	—
	Gray	—	—	<b>RCD108GYTR</b>	—	—	—
	Ivory	<b>RC108ITR</b>	<b>RC308ITR</b>	<b>RCD108ITR</b>	<b>RCD308ITR</b>	<b>GFSPST15I</b>	—
	Lt. Almond	<b>RC108LATR</b>	—	<b>RCD108LATR</b>	<b>RCD308LATR</b>	<b>GFSPST15LA</b>	—
	White	<b>RC108WTR</b>	<b>RC308WTR</b>	<b>RCD108WTR</b>	<b>RCD308WTR</b>	<b>GFSPST15W</b>	—

Note: See page R-6 for tamper-resistant description.

# Switches

## Residential Grade Combination Devices



### Residential Grade Combination Switch and Pilot Light



RC109I



RC309I



RCD109W



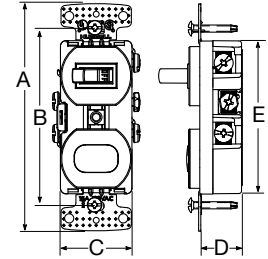
RCD309W

	Clear Lens, Amber Neon Bulb, Neutral Required for Pilot Light			
Rating	15A 120V AC			
Device	Toggle Switch		Decorator Rocker	
Color	(1) Single Pole (1) Pilot Light	(1) 3-Way (1) Pilot Light	(1) Single Pole (1) Pilot Light	(1) 3-Way (1) Pilot Light
Brown	<b>RC109</b>	<b>RC309</b>	—	—
Ivory	<b>RC109I</b>	<b>RC309I</b>	<b>RCD109I</b>	<b>RCD309I</b>
Light Almond	<b>RC109LA</b>	—	<b>RCD109LA</b>	<b>RCD309LA</b>
White	<b>RC109W</b>	<b>RC309W</b>	<b>RCD109W</b>	<b>RCD309W</b>

### Product Dimensions

Inches (mm)

A	4.20" (106.7)
B	3.27" (83.0)
C	1.32" (33.6)
D	0.97" (24.6)
E	2.82" (71.7)



## Accessories

### Neon Pilot Light



48071R

Description	Color	Neon Pilot Light
Plastic jewel, 1/25 watts, back and side wired	Opal	<b>480710</b>
	Red	<b>48071R</b>

### Toggle Switch Lockout



BSLD

Description	Color	Toggle Switch Lockout
Thermoplastic	Red	<b>BSLD</b>

Note: Not UL Listed or CSA Certified.

### Accessories



746

Description	Color	Plastic Jewels
Rectangular for standard switch plate opening	Red	<b>746</b>
	Green	<b>746GREEN</b>

Note: Not UL Listed or CSA Certified.



# Switches

## Door Switch Accessories



### Compact Design Door Switches and Replacement Switches



**RDS50**

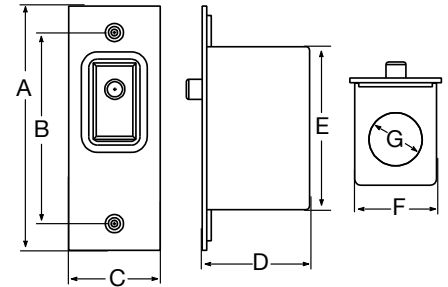
**RDS30**

Description	ON When Door is Open	OFF When Door is Open
Door switch with cover plate and box, zinc plated steel, 3A 125V AC	<b>RDS50*</b>	<b>RDS30*</b>
Replacement switch only complete with #18 AWG wire leads and adjustable plunger, 6A 125V, 3A 250V	<b>1205BRY**</b>	<b>1206BRY**</b>

Note: \*Not UL Listed.  
\*\*Not UL Listed or CSA Certified.

### Product Dimensions Inches (mm)

A	4.00" (10.16)
B	3.13" (7.95)
C	1.50" (3.81)
D	1.76" (4.47)
E	2.67" (6.78)
F	1.34" (3.40)
G	½ KO 0.87" (2.21)



## In-Line Cord Switches

### In-Line Cord Switches



**RS100W**

Mini In-Line Cord Switch		
Description	Color	Catalog Number
Mini in-line cord switch, #18 AWG, for use with flat lamp cord, SPT 1 and SPT 2, 6A 125V AC	White	<b>RS100W</b>



**RS101W**

Heavy Duty In-Line Cord Switch		
Description	Color	Catalog Number
Heavy duty in-line cord switch, #18/2-#16/2, SPT 1 and SPT 2, 6A 125V AC, ½ HP	Ivory White	<b>RS101I</b> <b>RS101W</b>



## Technical Specifications



48011



98011



RSD115W

### Switches

Description	Industrial Grade	Commercial Grade	Residential
Typical specification – catalog number	4801, 4901	9801, 9901	RSD115
Manufacturer's identification	Bryant 4801, 4901	Bryant 9801, 9901	RSD115
Description	Industrial grade AC switch, back and side wired	Commercial grade fashion series rocker switch	Residential decorator series rocker switch
Type	Single pole, single-throw, grounded	Single pole, double pole, 3-way and 4-way	
Rating	15A and 20A, 120-277V AC	15A and 20A, 125V-277V AC	

### Certification

UL Listed, Guide #WMUZ Verified under Fed. Spec. #WS 896 Complies with UL 20 and NEMA <sup>®</sup> Standard WD-1	Listed to UL Standard 20 CSA Certified
--	---

### Materials

Components	Materials	Materials
Cover	Thermoset	Polycarbonate
Base	(Face color coded by amperage)	PVC
Toggle	Nylon	—
Rocker	—	Polycarbonate
Terminal	High performance copper-alloy	Brass
Terminal screws	Brass #8 combination head	Steel
Mounting yoke	Brass and nickel-plated steel	Galvanized steel
Contacts	Silver cadmium oxide	Silver alloy
Movable contact arm	High performance copper-alloy	Copper alloy
Ground terminal	Brass and nickel-plated steel	—
Ground screw	Brass (green)	—
Auto ground clip	Stainless steel	—

### Performance

Electrical		Electrical	
Dielectric voltage	Withstands 1500V minimum for 1 min	Withstands 1500V minimum for 1 min	
Maximum working voltage	277V AC	277V AC (Commercial)	120V (Residential)
Overload	—	1.5 times rating	
Temperature rise	30°C maximum at rated current	—	
Maximum continuous current	15A, 20A, 30A	—	
Endurance	50,000 cycles minimum, tungsten filament lamp load (Fed. Spec.), #WS 896, single pole, double pole, 3-way and 4-way	30,000 cycles minimum	
Mechanical			
Terminal accommodation	#14 AWG minimum - #10 AWG maximum	Back and side wire: up to #10 AWG max. solid and stranded copper wire only	Back and side wire: #14 AWG min. to #12 AWG max. solid and stranded copper wire only, push wire: #14 AWG solid copper wire only
Environmental			
Flammability	UL 94 V2	UL 94 V2	UL V0
Operating temperatures	Maximum continuous 75°C, minimum -40°C (without impact)	Maximum continuous 60°C, minimum -20°C (without impact)	

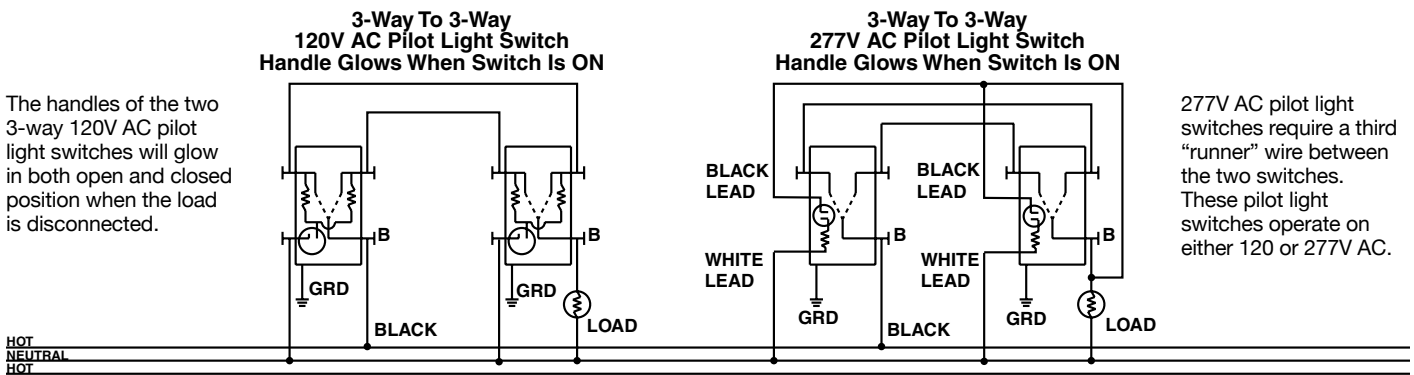
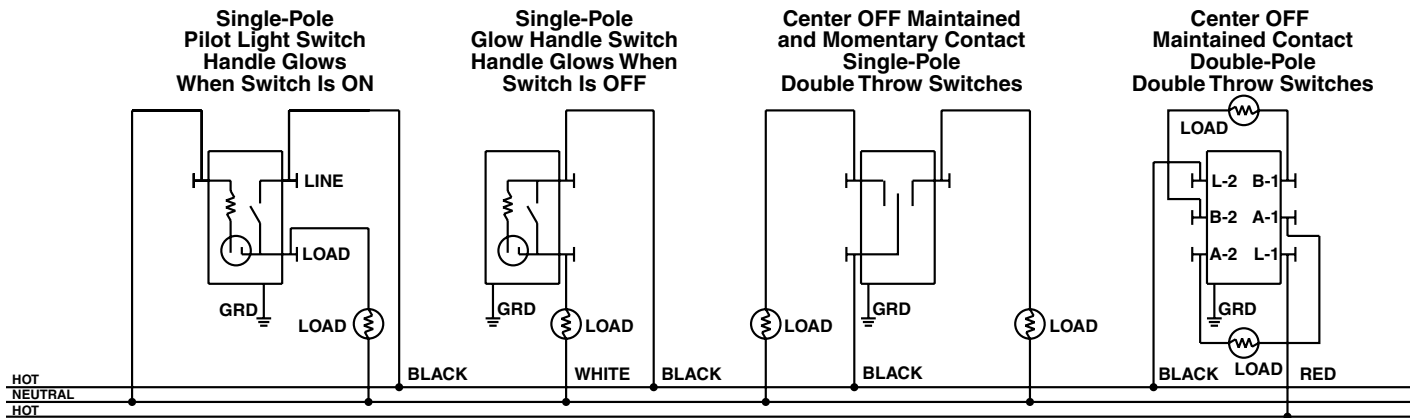
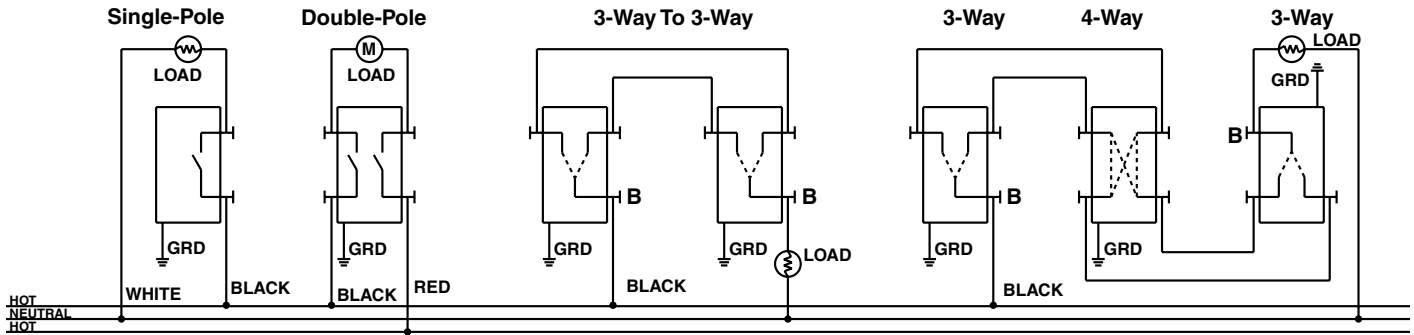
NEMA<sup>®</sup> is a registered trademark of the National Electrical Manufacturers Association.

# Switches

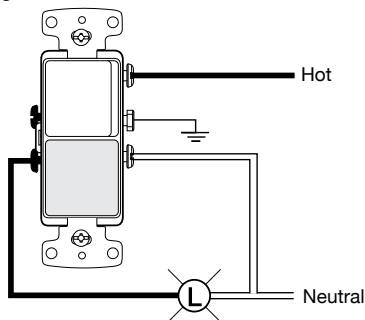
## Wiring Diagrams



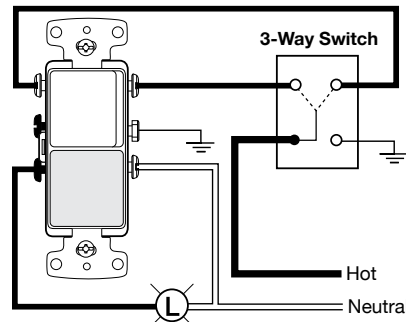
### AC Switches



**Pilot Light Wiring Diagram**  
Single Pole



**Pilot Light Wiring Diagram**  
3-Way





### Toggle AC Motor Controllers Suitable as Disconnects (See Section F for Product Features)



Description	Amp	Phase	Poles	HP Ratings				Catalog Number
				120V AC	240V AC	480V AC	600V AC	
Toggle switch	30	1	2	2	5	10	15	<b>30002D</b>
Short toggle switch	30	1	2	2	5	10	15	<b>30002DS</b>
Toggle switch	30	3	3	3	7.5	15	20	<b>30003D</b>
Short toggle switch	30	3	3	3	7.5	15	20	<b>30003DS</b>
Toggle switch	40	1	2	2	5	10	15	<b>40002D*</b>
Toggle switch	40	3	3	3	7.5	15	25	<b>40003D</b>
Toggle switch	50	1	2	2	5	10	15	<b>50002D</b>
Toggle switch	50	3	3	3	7.5	15	25	<b>50003D</b>
Toggle switch	60	1	2	—	10	15	20	<b>60002D</b>
Toggle switch	60	3	3	—	10	25	30	<b>60003D</b>
Toggle switch – front wire	60	1	2	—	10	15	20	<b>60002FWD</b>
Toggle switch – front wire	60	3	3	—	10	25	30	<b>60003FWD</b>
Toggle switch	85	1	2	—	10	15	20	<b>85002D</b>
Toggle switch	85	3	3	—	10	25	40	<b>85003D</b>

Note: \*For motor controller only, use catalog number 4002.

### Rotary AC Manual Motor Controllers Suitable as Disconnects (See Section F for Product Features)



Description	Amp	Phase	Poles	HP Ratings				Catalog Number
				120V AC	240V AC	480V AC	600V AC	
Rotary switch	30	1	2	2	5	10	15	<b>66032D</b>
Rotary switch	30	3	3	3	7.5	15	20	<b>66033D</b>
Rotary switch	40	1	2	2	5	10	15	<b>66042D</b>
Rotary switch	40	3	3	3	7.5	15	25	<b>66043D</b>
Rotary switch	60	1	2	—	10	15	20	<b>66062D</b>
Rotary switch	60	3	3	—	10	25	30	<b>66063D</b>

### Toggle and Rotary Enclosed Switches Suitable as Disconnects (See Section F for Product Features)

Description	Amp	Phase	Poles	HP Ratings				Catalog Number
				120V AC	240V AC	480V AC	600V AC	
NEMA 1 aluminum – toggle	30	1	2	2	5	10	15	<b>30102D</b>
NEMA 1 aluminum – toggle	30	3	3	3	7.5	15	20	<b>30103D</b>
NEMA 3/3R non-metallic	30	1	2	2	5	10	15	<b>30322D</b>
NEMA 3/3R non-metallic	30	3	3	3	7.5	15	20	<b>30323D</b>
NEMA 3R die cast aluminum	30	1	2	2	5	10	15	<b>30312D</b>
NEMA 3R die cast aluminum	30	3	3	3	7.5	15	20	<b>30313D</b>
NEMA 3R aluminum	30	1	2	2	5	10	15	<b>30302D</b>
NEMA 3R aluminum	30	3	3	3	7.5	15	20	<b>30303D</b>
NEMA 3R aluminum	60	1	2	—	10	15	20	<b>60302D</b>
NEMA 3R aluminum	60	3	3	—	10	25	30	<b>60303D</b>
NEMA 4X stainless steel	30	3	3	3	7.5	15	20	<b>664S33D</b>
NEMA 4X stainless steel	60	3	3	—	10	25	30	<b>664S63D</b>
NEMA 4X rotary motor controller	30	3	3	3	7.5	15	20	<b>664X33D</b>
NEMA 4X rotary motor controller	40	3	3	3	7.5	15	20	<b>664X43D</b>
NEMA 4X rotary motor controller	60	3	3	—	10	25	30	<b>664X63D</b>

### Accessories (See Section F for Product Features)

Description	Catalog Number
Finger guards, red, for use with 30, 40 and 50 amp switches (set of 2)	<b>30003FG</b>
Handle kit for rotary switch, includes handle, shaft, mounting brackets and required screws	<b>6610MK</b>
Weatherproofing kit for rotary switch, includes 4 seals, neoprene bushing and 3 "O" rings	<b>664XWP</b>
Auxiliary contact NO/NC, includes 1 contact for use with push-on terminals	<b>660AC</b>
Mounting feet for NEMA 4X enclosure	<b>664XFT</b>
Neutral buss connector for NEMA 4X enclosure	<b>6603N</b>