



Table of Contents	Page
<b>Bryant GFCI Receptacles</b>	
Bryant Self Test GFCI Patented Technology and Features . . . . .	B-2
<b>Commercial GFCI Receptacles</b>	
Tamper-Resistant . . . . .	B-3
Standard and Hospital Grade . . . . .	B-4
Tamper-Resistant and Weather Resistant . . . . .	B-5
Weather Resistant Only . . . . .	B-5
Common Questions and Answers . . . . .	B-6
Technical Specifications . . . . .	B-6
<b>GFCI Sensing Modules</b> . . . . .	B-7
<b>Portable GFCI Products</b>	
Industrial Grade, Manual Set GFCI Line Cords . . . . .	B-8
Plug-In Portable GFCI. . . . .	B-8
Commercial Grade, Manual and Automatic Set GFCI Line Cords . . . . .	B-9
Technical Specifications . . . . .	B-12
<b>Temporary Power Distribution Boxes</b>	
Features and Benefits. . . . .	B-10
Temporary Power Boxes, Cable Sets and Replacement Parts . . . . .	B-11
Technical Specifications . . . . .	B-12





**CIRCUITPRO® Self Test Technology 1st introduced by Bryant over 10 years ago!**  
*...self test monitoring now required in 2015 UL 943 GFCI Safety Standard...*

### Bryant Self Test GFCI Patented Technology

Bryant CIRCUITPRO® GFCI receptacles continually test and monitor for “people protection capability” automatically. This patented safety feature includes disconnecting power to the receptacle if critical components are damaged and GFCI protection is lost. GFCI auto-monitoring is conducted continuously within every 30 seconds.

Also, clear visual indicators are provided on the device face representing power status, trip condition, ground fault condition and end of life status. In addition, for added safety, power will be denied to the receptacle face if reverse wiring of line and load was to occur.

UL (Underwriters Laboratory) now requires all manufacturers to provide self test monitoring capability effective June 29, 2015. When was the last time you tested a GFCI receptacle? Industry studies indicate only a very small number of installations are actually being tested as is recommended by the manufacturer and UL. This is the fundamental reason this new revision has been incorporated into UL 943 standard for 2015.



Each Ground Fault Receptacle must automatically monitor GFCI functionality periodically	If the unit can no longer provide GFCI protection, it must comply with the following	Reverse line and load miswire function – (repeated)
Automatically test within (5) seconds of power to line and load terminals, periodically means every (3) hours or less.	Deny Power (trip with the inability to reset), if unit does reset it is subject to the next auto-monitoring test cycle.  Visual and/or audible indication that it no longer can provide protection.	If the line conductor is wired to the load terminal, power to the receptacle face will be denied. This includes both the initial installation and any subsequent reinstallations.

### Features

- **Patented CIRCUITPRO® Technology** — Continuous Self Test functionality and disconnects power to receptacle if critical components are damaged and GFCI protection is lost
- **Federal Communications Commission Part 15** — Compliant for radiated and conducted emissions
- **Thermoplastic Nylon Housing** — High-impact and ultraviolet resistant construction provides resilience in harsh environments
- **Clear Visual Indication of Ground Fault Receptacle Status** — LED indicating lights:
  - Green LED (power to the device)
  - Red LED (trip condition/ground fault condition)
  - Flashing Red LED (end of life)
- **Internal Back Wiring Clamp and Guide Pocket** — Quick and dependable termination
- **Protection Against Line and Load Reversal** — No power to the face or downstream receptacles if device is miswired
- **Installation Ease, Lower Labor Cost** — With auto-grounding clip, captive mounting screws and single tab “breakoff” ears and full “breakoff” for OEM raised covers
- **Night Light Option** — Light sensor controls for automatic “ON/OFF” and custom dual lens for optimum light output



# Ground Fault Devices

## Commercial Tamper-Resistant GFCI Receptacles



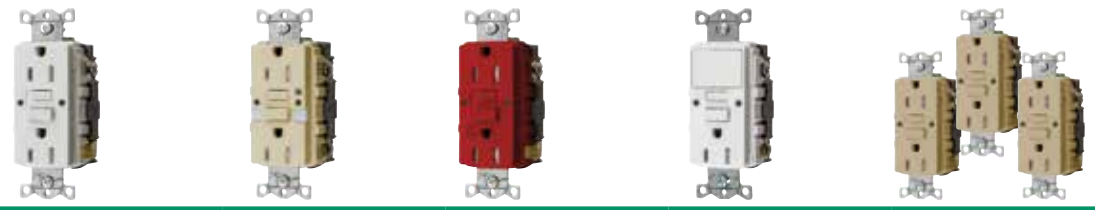
**GFTRST20**

### Features

- Patented CIRCUITPRO® self test technology includes disconnecting power to the receptacle if critical components are damaged and GFCI protection is lost
- Patented shutter design for tamper-resistant protection
- Compliant with NEC® 406.12 and NEC® 517-18(c)
- Alarm version provides audible notification of a trip condition



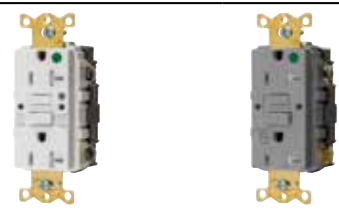
### Tamper-Resistant



Rating	Color	Standard	Night Light Two LED Night Lights	Alarm	Combination Switch 15A 120V Switch	Standard 3-Pack Three Devices per Pack	
NEMA 5-15, 15A 125V 	Almond	<b>GFTRST15AL</b>	<b>GFTRST15ALNL</b>	<b>GFTRST15ALZ</b>	—	—	
	Black	<b>GFTRST15BK</b>	<b>GFTRST15BKNL</b>	<b>GFTRST15BKZ</b>	—	—	
	Brown	<b>GFTRST15</b>	<b>GFTRST15NL</b>	<b>GFTRST15Z</b>	—	—	
	Gray	<b>GFTRST15GY</b>	<b>GFTRST15GYNL</b>	<b>GFTRST15GYZ</b>	—	—	
	Ivory	<b>GFTRST15I</b>	<b>GFTRST15INL</b>	<b>GFTRST15IZ</b>	<b>GFSPST15I</b>	<b>GFTRST15I3</b>	
	Light Almond	<b>GFTRST15LA</b>	<b>GFTRST15LANL</b>	<b>GFTRST15LAZ</b>	<b>GFSPST15LA</b>	<b>GFTRST15LA3</b>	
	Red	<b>GFTRST15R</b>	<b>GFTRST15RNL</b>	<b>GFTRST15RZ</b>	—	—	
	White	<b>GFTRST15W</b>	<b>GFTRST15WNL</b>	<b>GFTRST15WZ</b>	<b>GFSPST15W</b>	<b>GFTRST15W3</b>	
	NEMA 5-20, 20A 125V 	Almond	<b>GFTRST20AL</b>	<b>GFTRST20ALNL</b>	<b>GFTRST20ALZ</b>	—	—
		Black	<b>GFTRST20BK</b>	<b>GFTRST20BKNL</b>	<b>GFTRST20BKZ</b>	—	—
Brown		<b>GFTRST20</b>	<b>GFTRST20NL</b>	<b>GFTRST20Z</b>	—	—	
Gray		<b>GFTRST20GY</b>	<b>GFTRST20GYNL</b>	<b>GFTRST20GYZ</b>	—	—	
Ivory		<b>GFTRST20I</b>	<b>GFTRST20INL</b>	<b>GFTRST20IZ</b>	—	<b>GFTRST20I3</b>	
Light Almond		<b>GFTRST20LA</b>	<b>GFTRST20LANL</b>	<b>GFTRST20LAZ</b>	—	<b>GFTRST20LA3</b>	
Red		<b>GFTRST20R</b>	<b>GFTRST20RNL</b>	<b>GFTRST20RZ</b>	—	—	
White		<b>GFTRST20W</b>	<b>GFTRST20WNL</b>	<b>GFTRST20WZ</b>	—	<b>GFTRST20W3</b>	



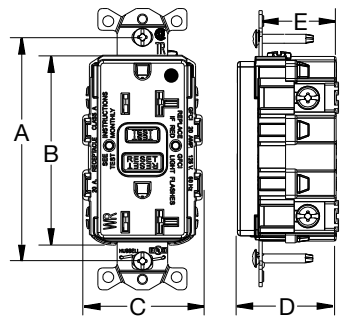
### Hospital Grade • Tamper-Resistant



Rating	Color	Night Light Two LED Night Lights	Alarm	
NEMA 5-15, 15A 125V 	Almond	<b>GFST82ALTRNL</b>	<b>GFST82ALTRZ</b>	
	Black	<b>GFST82BKTRNL</b>	<b>GFST82BKTRZ</b>	
	Brown	<b>GFST82TRNL</b>	<b>GFST82TRZ</b>	
	Gray	<b>GFST82GYTRNL</b>	<b>GFST82GYTRZ</b>	
	Ivory	<b>GFST82ITRNL</b>	<b>GFST82ITRZ</b>	
	Light Almond	<b>GFST82LATRNL</b>	<b>GFST82LATRZ</b>	
	Red	<b>GFST82RTRNL</b>	<b>GFST82RTRZ</b>	
	White	<b>GFST82WTRNL</b>	<b>GFST82WTRZ</b>	
	NEMA 5-20, 20A 125V 	Almond	<b>GFST83ALTRNL</b>	<b>GFST83ALTRZ</b>
		Black	<b>GFST83BKTRNL</b>	<b>GFST83BKTRZ</b>
Brown		<b>GFST83TRNL</b>	<b>GFST83TRZ</b>	
Gray		<b>GFST83GYTRNL</b>	<b>GFST83GYTRZ</b>	
Ivory		<b>GFST83ITRNL</b>	<b>GFST83ITRZ</b>	
Light Almond		<b>GFST83LATRNL</b>	<b>GFST83LATRZ</b>	
Red		<b>GFST83RTRNL</b>	<b>GFST83RTRZ</b>	
White		<b>GFST83WTRNL</b>	<b>GFST83WTRZ</b>	

### Product Dimensions Inches (mm)

	GFCI Receptacle
A	3.27" (83.1)
B	2.75" (69.8)
C	1.75" (44.5)
D	1.47" (37.4)
E	1.10" (27.9)



NEC® is a registered trademark of the National Fire Protection Association (NFPA).



## Commercial Standard and Hospital Grade GFCI Receptacles



GFRST15WNL

### Features

- Patented CIRCUITPRO® self test technology includes disconnecting power to the receptacle if critical components are damaged and GFCI protection is lost
- Internal back wiring clamp and guide for quick and secure termination
- Night light option includes light sensor controls for automatic ON and OFF, custom dual lens for optimum light output
- Fed. Spec. UL Listed (Hospital Grade)





### Standard

Rating	Color	Standard	Night Light Two LED Night Lights	Alarm	Blank Face Available in 20A Only	Standard 3-Pack Three Devices per Pack	
NEMA 5-15, 15A 125V 	Almond	GFRST15AL	GFRST15ALNL	GFRST15ALZ	—	—	
	Black	GFRST15BK	GFRST15BKNL	GFRST15BKZ	—	—	
	Brown	GFRST15	GFRST15NL	GFRST15Z	—	—	
	Gray	GFRST15GY	GFRST15GYNL	GFRST15GYZ	—	—	
	Ivory	GFRST15I	GFRST15INL	GFRST15IZ	—	GFRST15I3	
	Light Almond	GFRST15LA	GFRST15LANL	GFRST15LAZ	—	GFRST15LA3	
	Red	GFRST15R	GFRST15RNL	GFRST15RZ	—	—	
	White	GFRST15W	GFRST15WNL	GFRST15WZ	—	GFRST15W3	
	NEMA 5-20, 20A 125V 	Almond	GFRST20AL	GFRST20ALNL	GFRST20ALZ	GFBFST20AL	—
		Black	GFRST20BK	GFRST20BKNL	GFRST20BKZ	GFBFST20BK	—
Brown		GFRST20	GFRST20NL	GFRST20Z	GFBFST20	—	
Gray		GFRST20GY	GFRST20GYNL	GFRST20GYZ	GFBFST20GY	—	
Ivory		GFRST20I	GFRST20INL	GFRST20IZ	GFBFST20I	GFRST20I3	
Light Almond		GFRST20LA	GFRST20LANL	GFRST20LAZ	GFBFST20LA	GFRST20LA3	
Red		GFRST20R	GFRST20RNL	GFRST20RZ	GFBFST20R	—	
White		GFRST20W	GFRST20WNL	GFRST20WZ	GFBFST20W	GFRST20W3	

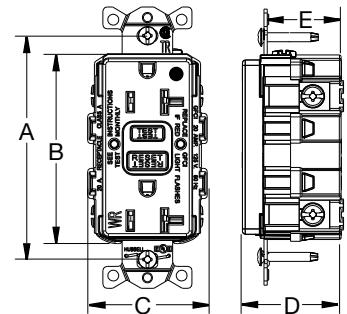


### Hospital Grade

Rating	Color	Standard	Night Light Two LED Night Lights	Alarm	
NEMA 5-15, 15A 125V 	Almond	GFST82AL	GFST82ALNL	GFST82ALZ	
	Black	GFST82BK	GFST82BKNL	GFST82BKZ	
	Brown	GFST82	GFST82NL	GFST82Z	
	Gray	GFST82GY	GFST82GYNL	GFST82GYZ	
	Ivory	GFST82I	GFST82INL	GFST82IZ	
	Light Almond	GFST82LA	GFST82LANL	GFST82LAZ	
	Red	GFST82R	GFST82RNL	GFST82RZ	
	White	GFST82W	GFST82WNL	GFST82WZ	
	NEMA 5-20, 20A 125V 	Almond	GFST83AL	GFST83ALNL	GFST83ALZ
		Black	GFST83BK	GFST83BKNL	GFST83BKZ
Brown		GFST83	GFST83NL	GFST83Z	
Gray		GFST83GY	GFST83GYNL	GFST83GYZ	
Ivory		GFST83I	GFST83INL	GFST83IZ	
Light Almond		GFST83LA	GFST83LANL	GFST83LAZ	
Red		GFST83R	GFST83RNL	GFST83RZ	
White		GFST83W	GFST83WNL	GFST83WZ	

### Product Dimensions Inches (mm)

	GFCI Receptacle
A	3.27" (83.1)
B	2.75" (69.8)
C	1.75" (44.5)
D	1.47" (37.4)
E	1.10" (27.9)



# Ground Fault Devices

## Commercial Tamper-Resistant and/or Weather Resistant GFCI Receptacles



GFTWRST20WIG



### Tamper-Resistant Weather Resistant

### Features

- Patented shutter design for tamper-resistant protection
- Tamper-Resistant/Weather Resistant Series meets NEC® requirements for TR (517-18c) and WR (406.9), UV and corrosion resistance for harsh and damp applications
- Weather Resistant Only Series meets NEC® requirements for weather resistance (406.9), UV and corrosion resistance for harsh and damp applications
- Patented CIRCUITPRO® self test technology
- Protects against line and load reversal, no power to the face or downstream if device is miswired



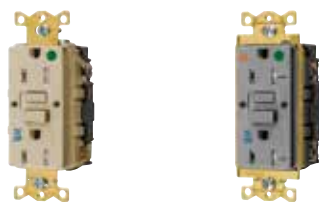
### Weather Resistant Only

Rating	Color	Standard	Isolated Ground	
NEMA 5-15, 15A 125V 	Almond	<b>GFTWRST15AL</b>	<b>GFTWRST15ALIG</b>	
	Black	<b>GFTWRST15BK</b>	<b>GFTWRST15BKIG</b>	
	Brown	<b>GFTWRST15</b>	<b>GFTWRST15IG</b>	
	Gray	<b>GFTWRST15GY</b>	<b>GFTWRST15GYIG</b>	
	Ivory	<b>GFTWRST15I</b>	<b>GFTWRST15IIG</b>	
	Light Almond	<b>GFTWRST15LA</b>	<b>GFTWRST15LAIG</b>	
	Red	<b>GFTWRST15R</b>	<b>GFTWRST15RIG</b>	
	White	<b>GFTWRST15W</b>	<b>GFTWRST15WIG</b>	
	NEMA 5-20, 20A 125V 	Almond	<b>GFTWRST20AL</b>	<b>GFTWRST20ALIG</b>
		Black	<b>GFTWRST20BK</b>	<b>GFTWRST20BKIG</b>
Brown		<b>GFTWRST20</b>	<b>GFTWRST20IG</b>	
Gray		<b>GFTWRST20GY</b>	<b>GFTWRST20GYIG</b>	
Ivory		<b>GFTWRST20I</b>	<b>GFTWRST20IIG</b>	
Light Almond		<b>GFTWRST20LA</b>	<b>GFTWRST20LAIG</b>	
Red		<b>GFTWRST20R</b>	<b>GFTWRST20RIG</b>	
White		<b>GFTWRST20W</b>	<b>GFTWRST20WIG</b>	

Rating	Color	Standard	
NEMA 5-15, 15A 125V 	Almond	<b>GFWRST15AL</b>	
	Black	<b>GFWRST15BK</b>	
	Brown	<b>GFWRST15</b>	
	Gray	<b>GFWRST15GY</b>	
	Ivory	<b>GFWRST15I</b>	
	Light Almond	<b>GFWRST15LA</b>	
	Red	<b>GFWRST15R</b>	
	White	<b>GFWRST15W</b>	
	NEMA 5-20, 20A 125V 	Almond	<b>GFWRST20AL</b>
		Black	<b>GFWRST20BK</b>
Brown		<b>GFWRST20</b>	
Gray		<b>GFWRST20GY</b>	
Ivory		<b>GFWRST20I</b>	
Light Almond		<b>GFWRST20LA</b>	
Red		<b>GFWRST20R</b>	
White		<b>GFWRST20W</b>	



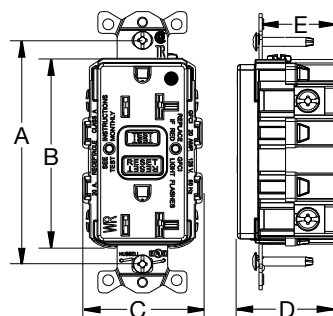
### Hospital Grade • Tamper-Resistant Weather Resistant



Rating	Color	Standard	Isolated Ground	
NEMA 5-15, 15A 125V 	Almond	<b>GFST82ALTR</b>	<b>GFST82ALIG</b>	
	Black	<b>GFST82BKTR</b>	<b>GFST82BKIG</b>	
	Brown	<b>GFST82TR</b>	<b>GFST82IG</b>	
	Gray	<b>GFST82GYTR</b>	<b>GFST82GYIG</b>	
	Ivory	<b>GFST82ITR</b>	<b>GFST82IIG</b>	
	Light Almond	<b>GFST82LATR</b>	<b>GFST82LAIG</b>	
	Red	<b>GFST82RTR</b>	<b>GFST82RIG</b>	
	White	<b>GFST82WTR</b>	<b>GFST82WIG</b>	
	NEMA 5-20, 20A 125V 	Almond	<b>GFST83ALTR</b>	<b>GFST83ALIG</b>
		Black	<b>GFST83BKTR</b>	<b>GFST83BKIG</b>
Brown		<b>GFST83TR</b>	<b>GFST83IG</b>	
Gray		<b>GFST83GYTR</b>	<b>GFST83GYIG</b>	
Ivory		<b>GFST83ITR</b>	<b>GFST83IIG</b>	
Light Almond		<b>GFST83LATR</b>	<b>GFST83LAIG</b>	
Red		<b>GFST83RTR</b>	<b>GFST83RIG</b>	
White		<b>GFST83WTR</b>	<b>GFST83WIG</b>	

### Product Dimensions Inches (mm)

GFCI Receptacle	
A	3.27" (83.1)
B	2.75" (69.8)
C	1.75" (44.5)
D	1.47" (37.4)
E	1.10" (27.9)



NEC® is a registered trademark of the National Fire Protection Association (NFPA).



### Performance

Certifications	Standards
UL File # E41978	Underwriters Laboratories 943 Class A GFCI 2015 and UL 498 Receptacles
CSA File # LR24886	Canadian Standards Association C22.2 Number 42
Industry Standards	NEMA® WD 6, ANSI® C-73, NOM, NEC® and CEC
FCC Part 15 Class B	Certified conformance to radiated and conducted emission testing per FCC
Electrical	Performance Specifications
Trip Level	4 – 6 mA
Trip Time	.025 sec
Frequency	60 Hz
Voltage	120V AC +10% - 15%
Amperage	15A/20A, 20A feed-thru
Dielectric voltage withstand	1500V minimum per UL 498
AC Horsepower Rating	1 HP
Current Interrupting	10,000 amps
Green LED Indicator	On when power is available to the device
Red Trip Indicator	On when device is in the tripped position
Red “EOL” Indicator	Rapid flash when unit has reached end of life and/or cannot provide GFCI protection
Mechanical	
Terminal Accommodations	#14 – #10 AWG
Product Identification	Ratings are a permanent part of the device

### Environmental

Flammability	UL94 V2
Operating Temperature	-35° to +66° C (- 30° to + 150° F)
Maximum Humidity	95%

### Common Questions and Answers

**Q: Why are ground fault receptacles changing?**

A: Underwriters Laboratory per revised Standard 943 has published new self test monitoring requirements that apply to all permanently installed GFCI products, effective June 29, 2015.

**Q: What is the primary benefit from these changes?**

A: Every Ground Fault Receptacle must now test itself for the ability to provide GFCI protection. Industry studies show installed ground fault receptacles are not being tested as required by the end user (minimum monthly).

**Q: Can I continue to use current generation GFCI receptacles after June 28th?**

A: Absolutely, the current Bryant GFCI receptacles can no longer be produced after June 28, 2015. However, these devices produced prior to June 28, 2015 can be sold by manufacturers and distributors until their inventories are depleted. There is no time limitation on use of this product.

**Q: What is different about this new version?**

A: A power denial feature has been added to this next generation of self test Ground Fault Receptacle product. If critical components are damaged and GFCI protection is lost, power to the receptacle will be disconnected.

**Q: What types of indicators do the CIRCUITPRO® ground fault receptacles have?**

A: Every Ground Fault Receptacle includes a solid green LED to indicate power to the face, a solid red LED for a tripped condition and a flashing red LED to indicate end of life when the unit should be replaced.

**Q: How does the Alarm version function?**

A: The Alarm Ground Fault Receptacle includes all LED indicators that are in the standard product. In addition, an audible alarm will sound when either the unit trips and/or is in end of life. A “silencing feature” is provided on the face of the device to turn off as needed.

NEMA® is a registered trademark of the National Electrical Manufacturers Association.

ANSI® is a registered trademark of the American National Standards Institute.

NEC® is a registered trademark of the National Fire Protection Association (NFPA).



- In the event of a ground fault, the load is interrupted by way of the hydraulic magnetic circuit breaker utilizing a shunt trip coil
- Automatic or manual “safe start” reset feature
- Rated from 1 to 50 amps
- Ideal for portable generator integration protecting all outlets on a generator
- Achieves a NEMA 4X Rating when mounted with the supplied gasket
- Meets the proposed requirements for generators Underwriters Laboratory subject 2201, UL/cUL 943 Listed, Class A 4-6mA trip level and UL 1053 Compliant

### GFCI Sensing Modules 50A Maximum



	GFMD120A	GFMD120M
	Automatic	Manual
120V AC	<b>GFMD120A</b>	<b>GFMD120M</b>
240V AC	<b>GFMD240A</b>	<b>GFMD240M</b>

### GFCI Sensing Module Circuit Breakers



Catalog Number Configurator

**GFMDCB120401P**

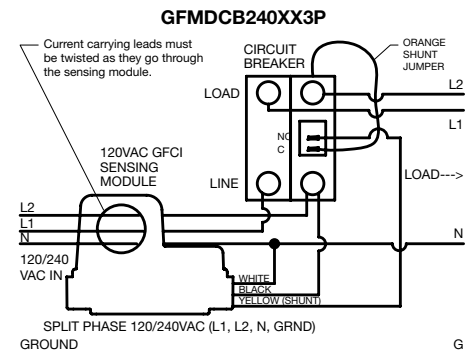
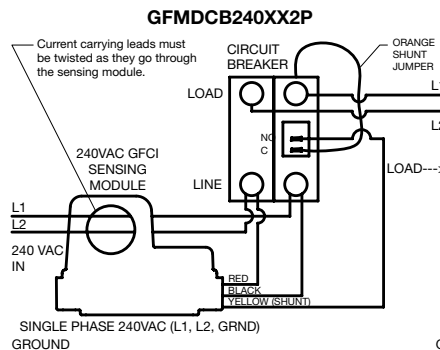
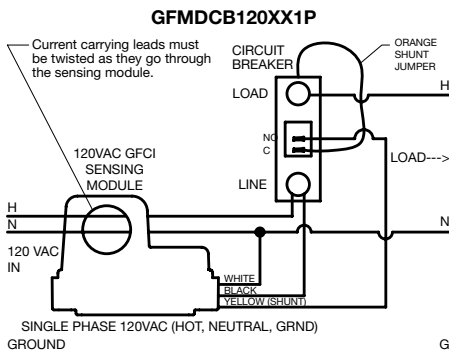
Example Catalog Number: **GFMDCB120401P**

<b>GFMDCB*</b>	<b>120</b>	<b>40</b>	<b>1P</b>
<b>G</b> ROUND <b>F</b> AULT	120V AC	1 thru 50 Amp	1P
<b>M</b> ODULE	240V AC		2P
<b>C</b> IRCUIT <b>B</b> REAKER	120/240V AC		3P

Other Examples: **GFMDCB240502P**: 240V 50A 2P,  
**FMDCB240203P**: 240V 20A 3P

\***GFMDCB** = **G**round **F**ault **M**odule **C**ircuit **B**reaker

### Wiring Schematics



# Ground Fault Devices



## Manual Set Portable GFCI Line Cords



- Easy-to-operate sealed key pad
- High-impact PVC watertight housing
- SJTW-A cord #14/3
- Sealed molded plug
- Bright fault light

**IP20**  
SUITABILITY

### Manual Set Portable GFCI Line Cords Feet (cm)



GFCI115

Description	18 In. (45.7)	6' (182.9)	25' (762.0)
15A 120V AC, #14-3 SJTW-A	<b>GFCI115</b>	<b>GFCI615</b>	<b>GFCI2515</b>

## Portable GFCI Line Cords

Portable GFCI Line Cords provide ground fault protection both indoors and out. They interrupt electrical power to protect personnel when leakage to ground is 4-6 milliamperes. Available in lengths of 18 inches (45.7 cm), 6 feet (182.9 cm), and 25 feet (762.0 cm). A 15 feet (457.2 cm) OEM version with stripped leads is also available. They are offered with Manual Set feature to meet your application.

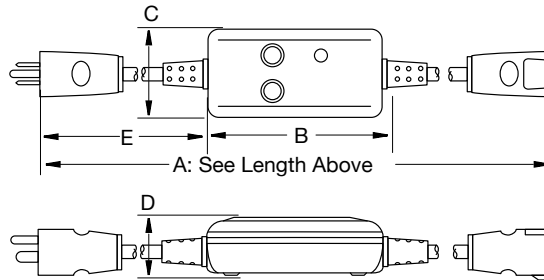
### QUADPLEX® Ground Fault Cord Sets Feet (cm)



Description	6' (182.9)
15A 120V AC 12/3 SJO cord, pilot light, yellow, thermoplastic	<b>T1254GF6</b>

### Product Dimensions Inches (mm)

GFCI Line Cord	
A	18.00" (457.2)
B	5.19" (131.8)
C	2.56" (65.0)
D	1.58" (40.1)
E	9.00" (228.6)



## Plug-In Portable GFCI

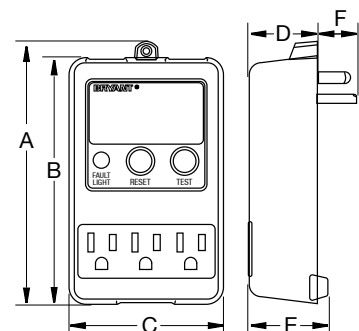


- Three NEMA 5-15R portable plug-in GFCI
- One piece sealed key pad test and reset buttons
- High-impact ABS housing UV stabilized 94VO
- Large neon indicating light for ground fault indication
- Ultrasonically welded housing

Description	Catalog Number
15A 120V AC, Three outlet plug-in	<b>GFP153R</b>

### Product Dimensions Inches (mm)

Plug-In GFCI	
A	5.83" (148.0)
B	5.50" (139.7)
C	3.45" (87.6)
D	1.50" (38.1)
E	1.76" (44.7)
F	0.82" (20.8)





# Ground Fault Devices



## Portable GFCI Products



- Available with an automatic or manual "safe start" reset feature
- Single and triple power tap configurations
- Recessed "test and reset" buttons
- LED indicates power and fault status

### GFCI In-Line – Single & Triple Tap 15A

This In-Line Ground Fault Circuit Interrupter is rated for 15 Amps at 120V AC. Product is available with an automatic or manual "safe start" reset features. Product variations include single and triple power tap configurations. Recessed "test and reset" buttons avoid accidental contact during handling and use. LED indicates power and fault status at a glance. Heavy duty construction is rated NEMA 3R.

## Portable GFCI Feet (cm)



GFCI2A



GFCI2TRIA



GFCI15125A



GFCI15125TRIM

Description	Set	GFCI Line Cord				In-Line GFCI	
		Single Tap		Triple Tap	Single Tap	Triple Tap	
		2' (61.0)	25' (762.0)	2' (61.0)	2' (61.0)	2' (61.0)	
15A 120V AC, 12/3 SJEOW	Automatic Manual	<b>GFCI2A</b> <b>GFCI2M</b>	— <b>GFCI25M</b>	<b>GFCI2TRIA</b> <b>GFCI2TRIM</b>	<b>GFCI15125A</b> <b>GFCI15125M</b>	<b>GFCI15125TRIA</b> <b>GFCI15125TRIM</b>	

## OEM Equipment Integrated Cord Sets Feet (cm)



GFCL15A

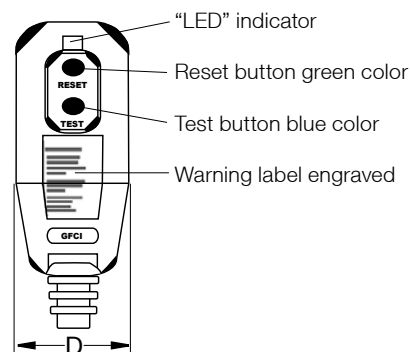
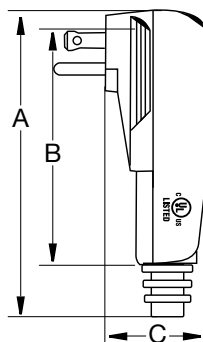


GFP15A

Description	Set	GFCI with Flying Leads 15 (457.2)	Field Wireable Black Plug
15A 120V AC, 14/3 SJEOW	Automatic Manual	<b>GFCL15A</b> —	<b>GFP15A</b> <b>GFP15MA</b>

## Product Dimensions Inches (mm)

GFCI Plug	
A	5.16" (131.0)
B	4.25" (108.0)
C	1.72" (43.7)
D	1.90" (48.3)
E	1.06" (26.8)





### Temporary Power Distribution Boxes

- Designed to address temporary power needs on construction sites and outdoor events
- Boxes are UL Type 3R for outdoor rainproof applications
- Weatherproof boots available for connecting plugs for additional protection from elements

### Certifications

- Bryant's Temporary Power Distribution Boxes meet NEC® 305.6 requirements for personal protection
- Listed to the latest UL 1640 standard for Portable Power Distribution Equipment

### Applications

#### Construction Sites

- Renovations
- New Construction
- Demolition



#### Universities/Schools

- Graduation Ceremonies
- Concerts/Lectures
- Sporting Events



#### Stage/Theater

- Movie/Broadcasting
- Concerts
- Plays/Musicals



#### Outdoor Entertainment

- Carnivals
- Festivals
- Professional Sports



NEC® is a registered trademark of the National Fire Protection Association (NFPA).

# Ground Fault Devices

## Temporary Power Boxes, Cable Sets and Replacement Parts



- Weatherproof receptacle lift covers
- Available with six 20A straight blade or locking receptacles
- Features 50A locking input and output
- Over current protection for each circuit
- Individual GFCI module for each receptacle
- Nested leg design allows boxes to be easily stacked
- UL Type 3R for outdoor rainproof applications

### Temporary Power Distribution Boxes

Rating	Type	Qty	Receptacle Ratings	Protection Overload	GFCI Protected	Catalog Number
50A 120/240V AC (Max.)	Straight Blade	6	20A 125V	Yes	Yes	<b>TPDSB</b>
	Locking	1	30A 250V	Yes	No	
	Locking (inlet)	1	50A 125/250V	No	No	
	Locking (outlet)	1	50A 125/250V	No	No	
50A 120/240V AC (Max.)	Locking	6	20A 125V	Yes	Yes	<b>TPDLB</b>
	Locking	1	30A 250V	Yes	No	
	Locking (inlet)	1	50A 125/250V	No	No	
	Locking (outlet)	1	50A 125/250V	No	No	

### Cable Sets



TPC50B

Description	50 Ft. Cable	100 Ft. Cable
50A cord set, #6/3, #8/1 cable type, with 50A locking plug and connector, not UL Listed or CSA Certified	<b>TPC50B*</b>	<b>TPC100B*</b>

### Replacement Parts

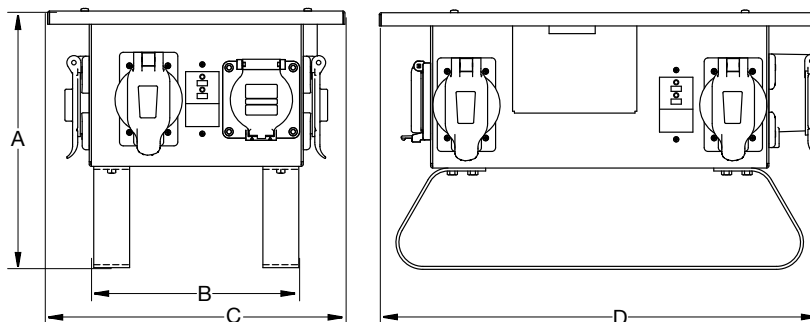


CS6365L CS6375L 7774CR 7780

Description	20A 125V	30A 250V	50A 125/250V
Straight blade receptacle	<b>CRS20</b>	—	—
Locking receptacle	—	<b>70530FR</b>	<b>CS6369L</b>
Plug	—	—	<b>CS6365L</b>
Connector	—	—	<b>CS6364L</b>
Inlet	—	—	<b>CS6375L</b>
Weather protective plate for receptacle	<b>RW51470</b>	<b>7420B</b>	<b>7774CR</b>
Weather protective plate for inlet	—	—	<b>7780</b>

### Product Dimensions Inches (mm)

TPD Box	
A	12.52" (317.9)
B	10.23" (259.8)
C	14.50" (368.3)
D	21.50" (546.1)





GFCI15



GFP153R

### Portable GFCI

#### Certification

Meets UL943 Class A, UL Listed, CSA Certified  
Meets all NEC® and CEC requirements

#### Materials

Components	Portable GFCI Line Cords	Portable Plug-In GFCI
Housing	High-impact, UV stabilized PVC, UL 94V-0 flammability classification, Meets UL and CSA watertight requirements, adhesive bonded	High-impact ABS
Input	NEMA 5-15P	NEMA 5-15P
Output	—	Three NEMA 5-15R
Power "ON" indication	LED indicator light	—
Cord type	#14 AWG SJTW-A (UL), SJTW (CSA)	—
Fault indication	—	Indicator light
Visual fault indication light on	LED Indicates fault	—
Center screw	—	For optional permanent mounting

#### Performance

Electrical	
Trip level	4 – 6 mA
Trip time	.025 sec nominal
Frequency	60Hz
Voltage	120V AC +10% - 15%, incorporates no voltage release feature
Amperage	15A
Maximum interrupting capacity	2,000 Amps
Terminal accommodations	#14 - #10 AWG stranded or solid copper conductors only
Environmental	
Maximum humidity	95%
Operating temperatures	-35° C to +66° C (-30° F to +150° F)



### Temporary Power Distribution Box

#### Certification

Boxes	Cable
UL 1640, UL 943 NEC®, ANSI/NFPA 70	Connectors: UL/CSA, Cable: MSHA

#### Performance

Environmental	Indoor and outdoor wet and dry locations
Box Enclosure type	3R, rainproof, suitable for use in damp locations

NEC® is a registered trademark of the National Fire Protection Association (NFPA).